

HA BF C

HAMPTON Tap Range

Hampton Bath Filler Chrome



Features:

- Long life and easy to use 1/4 turn ceramic disc valves
- Metal back nuts for added durability
- Minimum working pressure of 1.0 bar

Product Certifications:

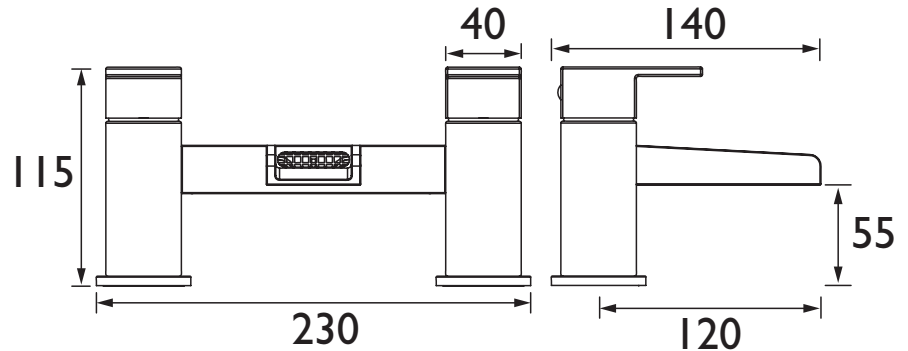
For more products, visit our website:
<http://www.bristan.com>



Specification

Product Type:	Bath Filler
Main Construction Material:	Brass
Mount Type:	Deck
Handle Type:	Lever
Connection Inlet:	3/4" BSP
Connection Outlet:	Rectangular Flow Straightener
Number of Tap Holes:	1
Valve/Cartridge Type:	3/4" Ceramic Disc Valves - 1/4 Turn
Plumbing System Requirements:	Suitable for high pressure systems
Minimum Dynamic Pressure (bar):	1 bar
Maximum Dynamic Pressure (bar):	5 bar
Maximum Hot Water Temperature °C:	65°C
Maximum Static Pressure (bar):	10 bar
Flow Type:	Single
Isolation Included:	No

Dimensions (measurements in mm)



Flow Rates (l/min)

System Pressure (bar)	1	2	3	5
HA BF C (mixed)	13.9	18	18	18.3

TECHNICAL DATA SHEET



BRISTAN

D4