

# J BAS E6 C

## JAVA Tap Range Java Basin Mixer Eco6 with Pop-up Waste Chrome



### Specification

Product Type:	Bathroom Taps
Main Construction Material:	Brass
Mount Type:	Deck Mounted
Handle Type:	Lever Handle
Connection Inlet:	M10 x 400mm flexible connection pipes
Connection Outlet:	M24 6lpm Flow Limiter
Number of Tap Holes:	1
Valve/Cartridge Type:	40mm Ceramic Cartridge
Plumbing System Requirements:	Suitable for all plumbing systems
Minimum Dynamic Pressure (bar):	0.2 bar
Maximum Dynamic Pressure (bar):	5.0 bar
Maximum Hot Water Temperature °C:	65°C
Maximum Static Pressure (bar):	10 bar
Flow Type:	Single Flow
Isolation Included:	No

### Features:

- Brass construction
- Ceramic disc cartridge for smooth temperature and flow control
- Easy-to-use lever handle

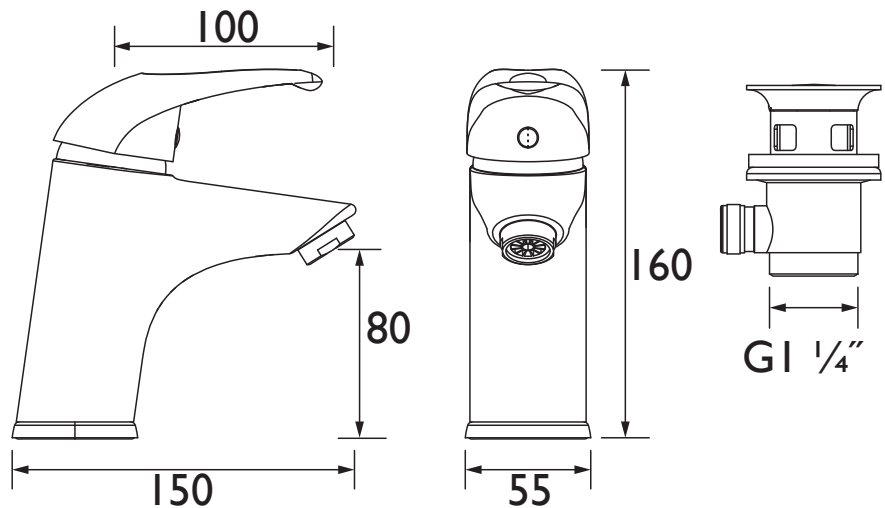
### Product Certifications:



For more products, visit our website:  
<http://www.bristan.com>



### Dimensions (measurements in mm)



### Flow Rates (l/min)

System Pressure (bar)	0.2	0.5	1	2	3	5
J BAS E6 C (mixed)	6	6	6	6	6	6

## TECHNICAL DATA SHEET



# BRISTAN

D6