

HAND117 C

SHOWER ACC Shower Range Square Handset Chrome



Specification

Finish/Colour:	Chrome Plated
Main Construction Material:	ABS
Shower Kit:	N/A
Shower Head Type:	Square
Rub Clean Handset:	Yes
Plumbing System Suitability:	Suitable for all plumbing systems
Minimum Dynamic Pressure (bar):	0.2 bar
Maximum Dynamic Pressure (bar):	5 bar
Maximum Static Pressure (bar):	10 bar
Connection Inlet:	1/2" BSP
What's Included:	1 x Square Handset

Features:

- Single function, rub clean,
- anti-limescale handset
- Chrome plated to BS EN 248

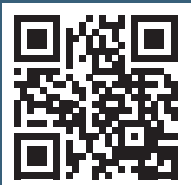
Product Certifications:



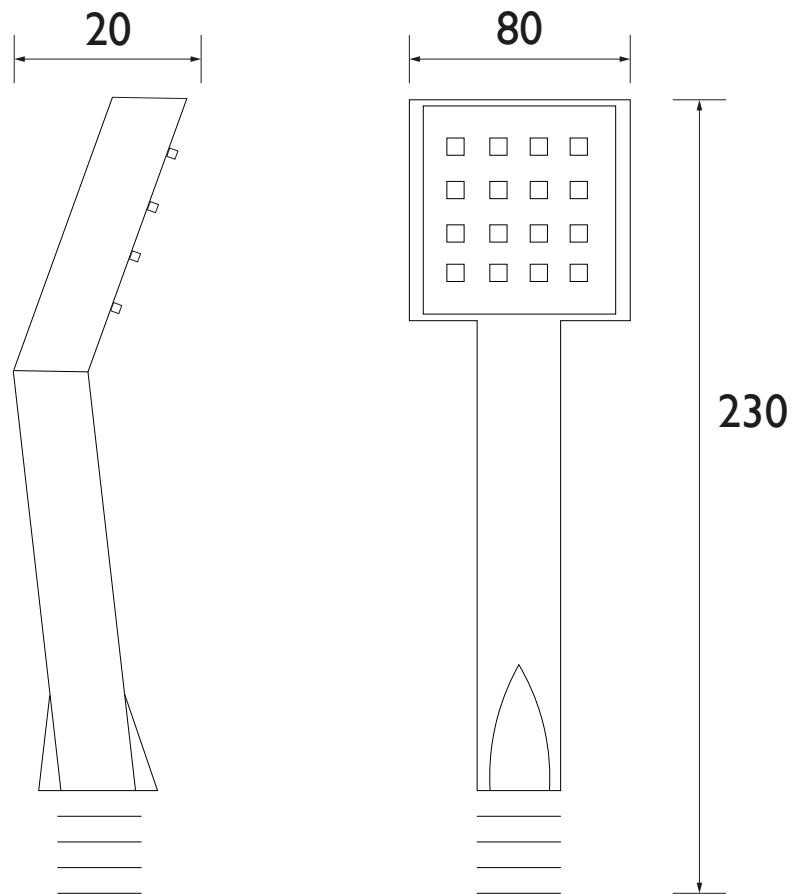
WRAS Certificate No: 2011094
WRAS Expiry Date: 30/11/2025



For more products, visit our website:
<http://www.bristan.com>



Dimensions (measurements in mm)



Flow Rates (l/min)

System Pressure (bar)	0.2	0.5	1	2	3	5
Through Handset (mixed)	4.5	7.2	10.2	14.4	17.6	22.7

TECHNICAL DATA SHEET



BRISTAN

D5