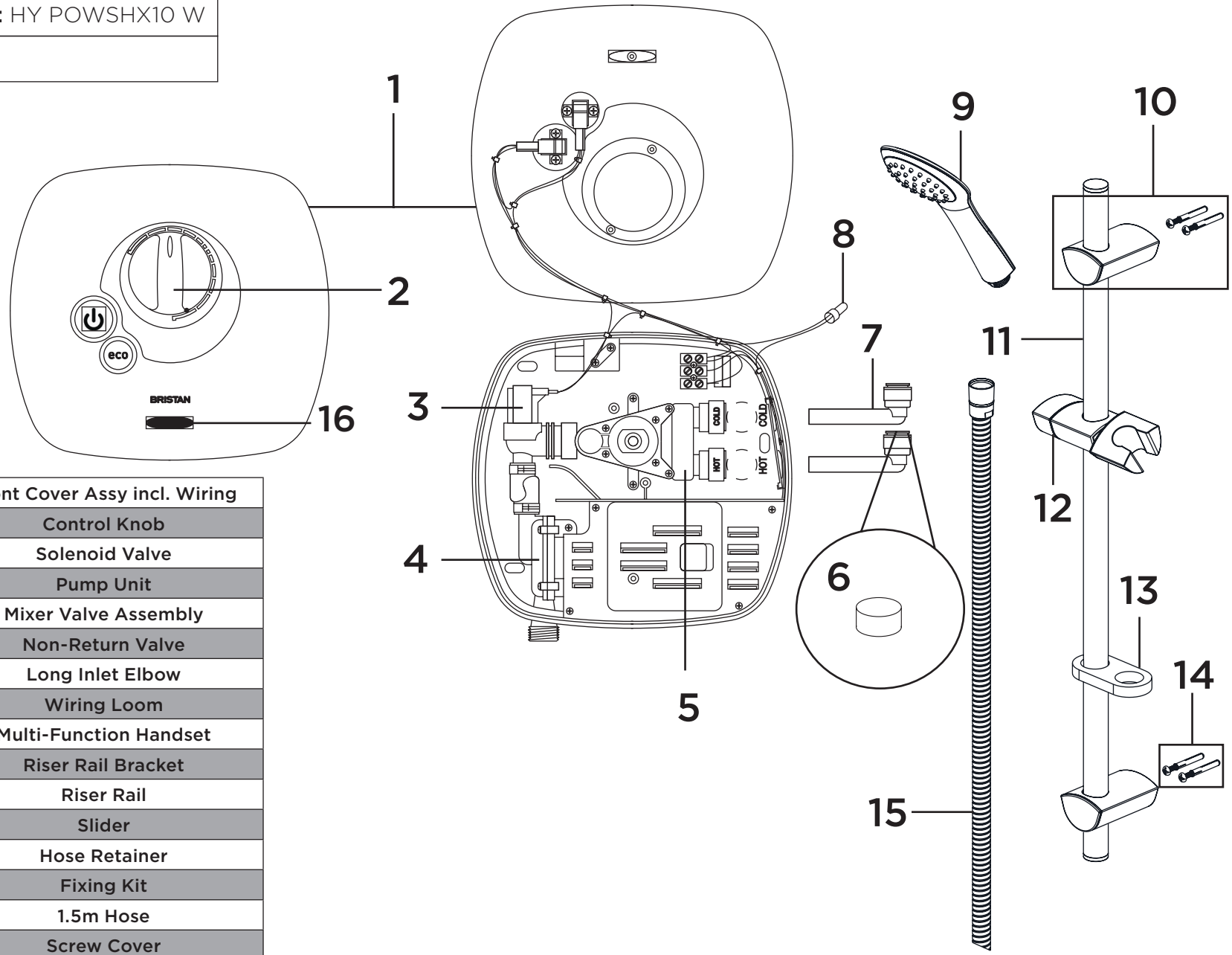


Product Code: HY POWSHX10 W

Revision: D2



1	Front Cover Assy incl. Wiring
2	Control Knob
3	Solenoid Valve
4	Pump Unit
5	Mixer Valve Assembly
6	Non-Return Valve
7	Long Inlet Elbow
8	Wiring Loom
9	Multi-Function Handset
10	Riser Rail Bracket
11	Riser Rail
12	Slider
13	Hose Retainer
14	Fixing Kit
15	1.5m Hose
16	Screw Cover