



Features:

- Long life ceramic cartridge for added durability and ease of use
- Metal fixing nut for added durability
- Includes 1.5m hose, rub-clean anti-limescale handset and wall bracket
- Minimum working pressure of 1.0 bar
- 1.5m shower hose

Product Certifications:



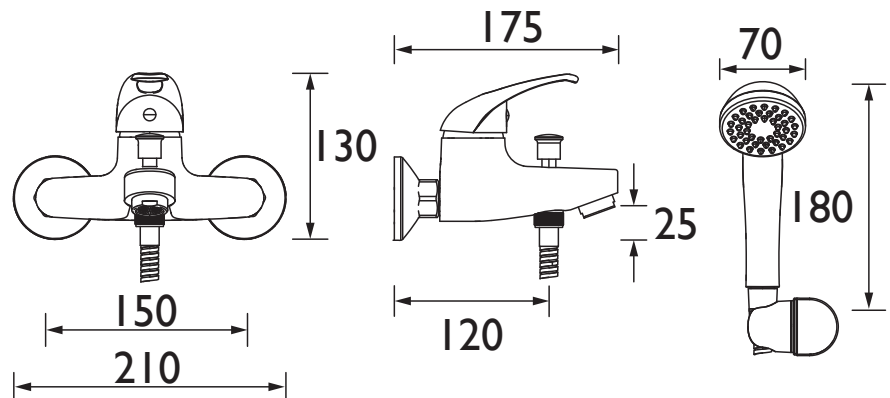
For more products, visit our website:
<http://www.bristan.com>



Specification

Product Type:	Bathroom Taps
Main Construction Material:	Brass
Mount Type:	Wall
Handle Type:	Pull Bar
Connection Inlet:	1/2" BSP
Connection Outlet:	M22 Flow Straightener
Number of Tap Holes:	2
Valve/Cartridge Type:	40mm Ceramic Cartridge
Plumbing System Requirements:	Suitable for high pressure systems, ideally balanced
Minimum Dynamic Pressure (bar):	1 bar
Maximum Dynamic Pressure (bar):	5 bar
Maximum Hot Water Temperature °C:	65°C
Maximum Static Pressure (bar):	10 bar
Flow Type:	Single
Isolation Included:	No

Dimensions (measurements in mm)



Flow Rates (l/min)

System Pressure (bar)	1	2	3	4	5
Through Bath Filler (mixed)	15.7	22.2	27.2	31.4	35.1
Through Handset (mixed)	9.4	13.3	16.3	18.8	21

TECHNICAL DATA SHEET



BRISTAN