



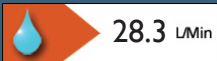
Specification

Product Type:	Contemporary
Main Construction Material:	Brass
Mount Type:	Deck Mounted
Handle Type:	Lever Handle
Connection Inlet:	¾" BSP
Number of Tap Holes:	2
Valve/Cartridge Type:	40mm Core Stepped Cartridge
Plumbing System Requirements:	All - Ideally Balanced
Working Pressure Range:	Min. 1.0 Bar - Max. 8.0 Bar
Maximum Hot Water Temperature: °C	60
Maximum Static Pressure: (bar)	10

Features:

- Long life ceramic cartridge for added durability and ease of use
- Metal fixing nut for added durability
- Includes 1.75m hose, rub-clean anti-limescale handset and wall bracket
- Minimum working pressure of 1.0 bar
- Single-function rub-clean anti-limescale handset and wall bracket

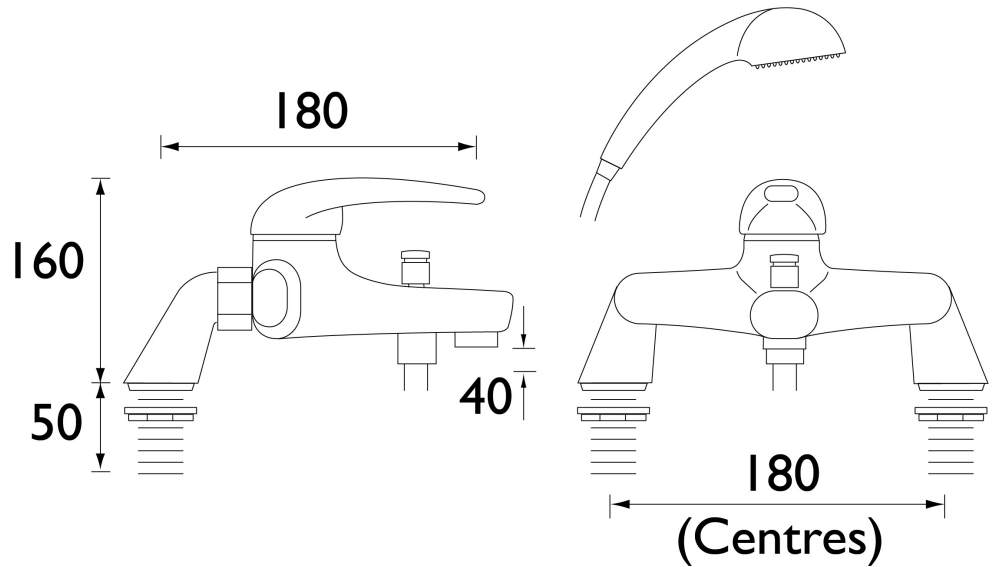
Product Certifications:



For more products, visit our website:
<http://www.bristan.com>



Dimensions (measurements in mm)



Flow Rates (l/min)

System Pressure (bar)	0.2	0.5	1	2	3	5
J PBSM C (Mixed)	6.63	11	15.71	22.9	28.3	36.87

TECHNICAL DATA SHEET



BRISTAN