

PS 3/4 C

PISA Tap Range Pisa Bath Taps Chrome



Features:

- Supplied with metal backnuts
- Supplied with metal handles
- Chrome plated to BS EN 248

Product Certifications:



WRAS Cert. Number: 1607001
WRAS Expiry Date: 31/07/2021

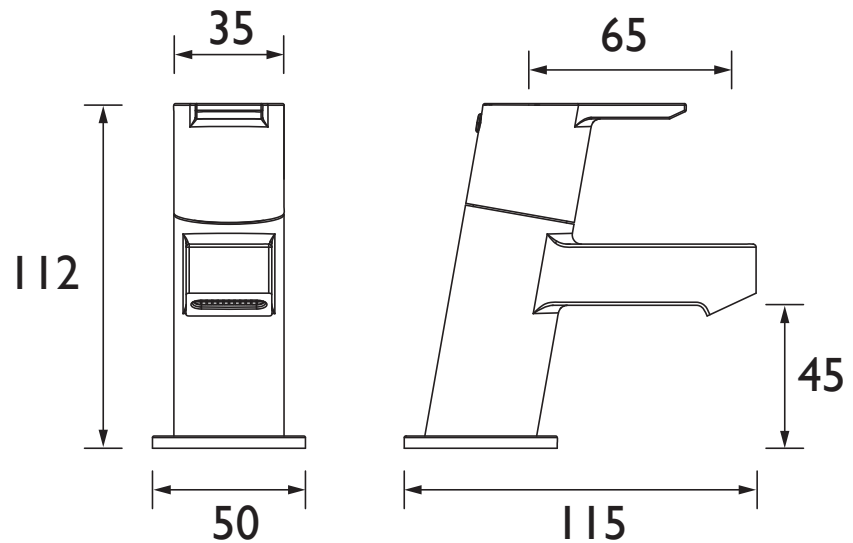
For more products, visit our website:
<http://www.bristan.com>



Specification

Product Type:	Bathroom Taps
Main Construction Material:	Brass
Mount Type:	Deck Mounted
Handle Type:	Lever Handles
Connection Inlet:	3/4" BSP
Connection Outlet:	Aerator
Number of Tap Holes:	2
Valve/Cartridge Type:	3/4" Ceramic Disc Valve
Plumbing System Requirements:	Suitable for all plumbing systems
Minimum Dynamic Pressure (bar):	0.2 bar
Maximum Dynamic Pressure (bar):	5.0 bar
Maximum Hot Water Temperature °C:	65°C
Maximum Static Pressure (bar):	10 bar
Isolation Included:	No

Dimensions (measurements in mm)



Flow Rates (l/min)

System Pressure (bar)	0.2	0.5	1	2	3	5
PS 3/4 C (Cold)	11.5	17.9	26	37	45.3	58.5
PS 3/4 C (Hot)	10.3	17	24	34.5	42.2	54.5

TECHNICAL DATA SHEET



BRISTAN

D8