

NR 3/4 C

NERO Tap Range Nero Bath Taps Chrome



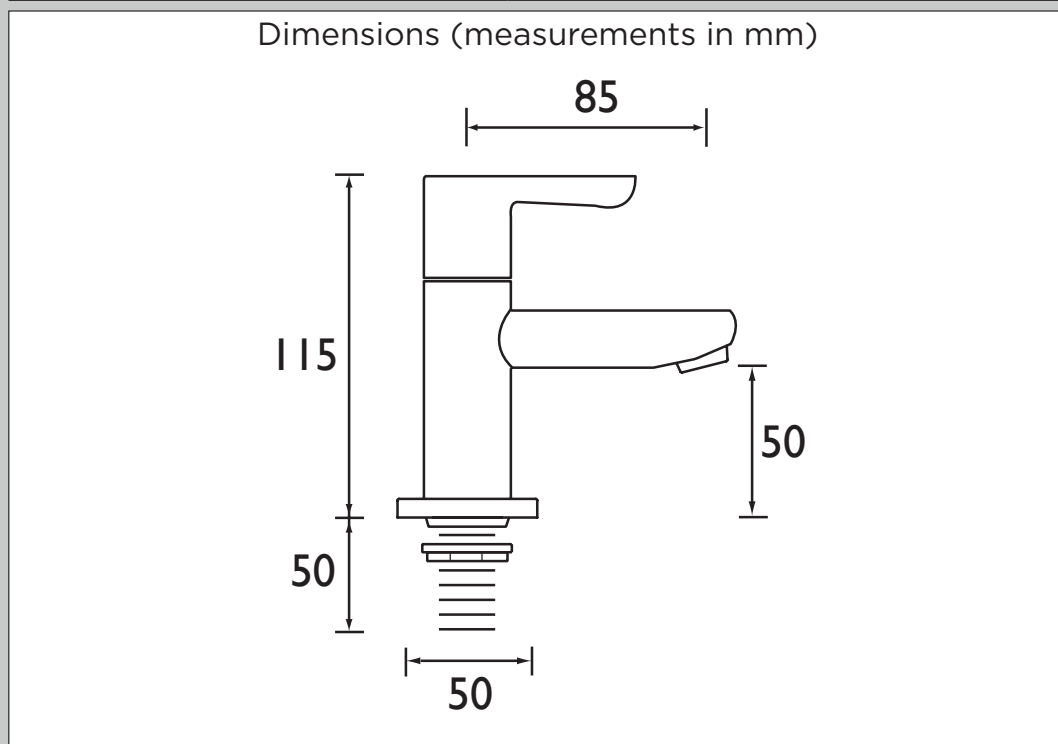
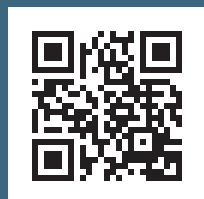
Specification	
Style:	Contemporary
Product Type:	Bathroom Taps
Finish/Colour:	Chrome
Main Construction Material:	Brass
Mount Type:	Deck
Handle Type:	Lever
Connection Inlet:	3/4" BSP
Number of Tap Holes Required:	2
Valve/Cartridge Type:	3/4" Ceramic Disc Valves
Plumbing System Suitability	All, preferably balanced
Working Pressure Range:	Min. 0.2 bar, Max. 7.0 bar
Maximum Hot Water Temperature: °c	65
Maximum Dynamic Pressure: (bar)	7
Maximum Static Pressure: (bar)	10
Flow Type:	Single Flow
Flow Rate: (l/min @ 3 bar)	61.1
Connection Outlet:	
Isolation Included:	No

Features:

- Brass construction
- Ceramic disc valve for smooth flow control
- Easy-to-use lever handles
- Metal back nuts for added durability

Product Certifications:

For more products, visit our website:



Flow Rates (l/min)						
System Pressure (bar)	0.2	0.5	1	2	3	5
NR 3/4 C (Hot)	14.8	24.2	34.7	49.7	61.1	78.9
NR 3/4 C (Cold)	14.3	24.3	34.8	49.6	60.8	78.5

TECHNICAL
DATA
SHEET



BRISTAN
TAPS & SHOWERS

D4