

---

# BRISTAN

---

Nero Tap Range

Fitting Instruction & Contents List



Please keep these instructions for future reference and request of replacement parts

## Introduction

Thank you for choosing Bristan, the UK's leading taps and showers expert. We have designed this product with your enjoyment in mind. To ensure that it works to its full potential, it needs to be fitted correctly. These fitting instructions have been created to give you all of the information you need and, if you need any further help, please do not hesitate to give us a call on 0330 026 6273.

## Safety Note

Please read these instruction thoroughly and retain for future use.

All product manufactured and supplied by Bristan are safe provided they are installed correctly, used correctly and receive regular maintenance in accordance with these instructions.

These fittings need to be installed in accordance with and meet the requirements of the Water Supply (Water Fittings) Regulations 1999 and Scottish Byelaws 2004.



Before starting any installation please consider the following:

Prior to drilling into walls, check that there are no hidden electrical wires, cables or water supply pipes. This can be checked with the aid of an electronic detector.

If power tools are used do not forget to:

- Wear eye protection
- Unplug equipment after use

Your fitting has a high quality finish and should be treated with care to preserve the visible surfaces. All surfaces will wear if not cleaned correctly, the only safe way to clean your mixer is to wipe with a soft damp cloth. Stains can be removed using washing up liquid. All bath cleaning powders and liquids will damage the surface of your fitting, even the non-scratch cleaners. NOTE: Never use abrasive detergents or disinfectants or those containing alcohol, hydrochloric acid or phosphoric acid.

## Specification

	Min.	Max.
Operating pressure range (bar)	0.2	5.0
Maximum static pressure – 10.0 bar		

NOTE:- Nominally equal (balanced) inlet supply pressures are recommended for optimum performance.

Designed to comply with BS EN 200 for single taps/ combination taps and BS EN 817 for single lever mixers, for water systems of type 1 and 2 general technical specifications and to be used within systems designed to BS 6700. BS 6700 recommends the temperature of stored water should never exceed 65°C. A stored water temperature of 60°C is considered sufficient to meet all nominal requirements and will minimise the build up of lime scale in hard water areas.

These fittings are suitable for use at all supply pressures. However for optimum use both the hot and cold supplies should be reasonably balanced.

If the fitting is installed at low pressure (tank fed), then the minimum distance from the highest installed position of the outlet to the underside of the cold tank should be at least 2 metres to ensure adequate performance.

These taps should be installed in compliance with the Water Regulations. Where the supplies are unbalanced, i.e. Hot water from cylinder tank / cold from the mains, approved check valves must be fitted in the supply pipes. For further details contact your Local Water Authority.

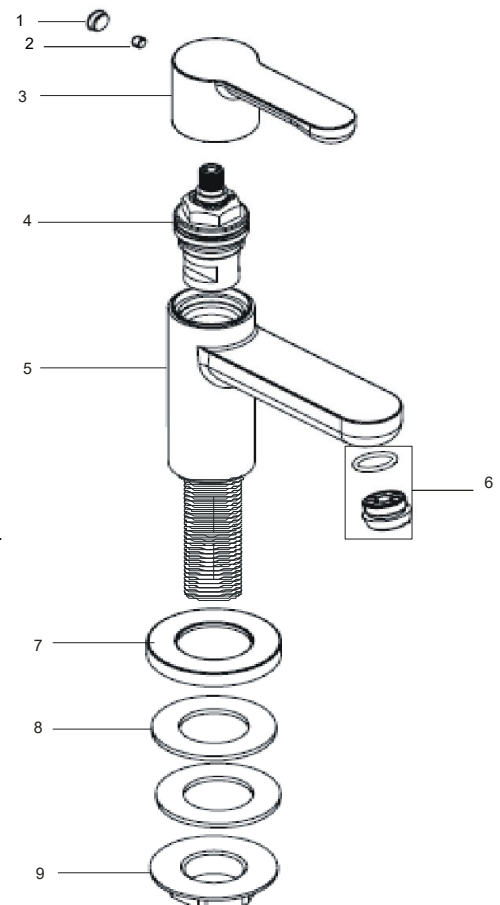
## Installation

### Basin & Bath Taps (Pair) – NR ½ C & NR ¾ C

1. Identify all components and check for completeness, particularly before commencing installation.
2. Install the taps to the basin/bath. The backnut (9) and washer (8) are used underneath to secure the taps to the surface of the basin/bath, with the washer (8) and plinth (7) above.
3. Connect the hot and cold water supplies.
4. Turn on the water supplies. Open both outlets, letting the water flow for a few minutes to check all joints and connections for leaks.

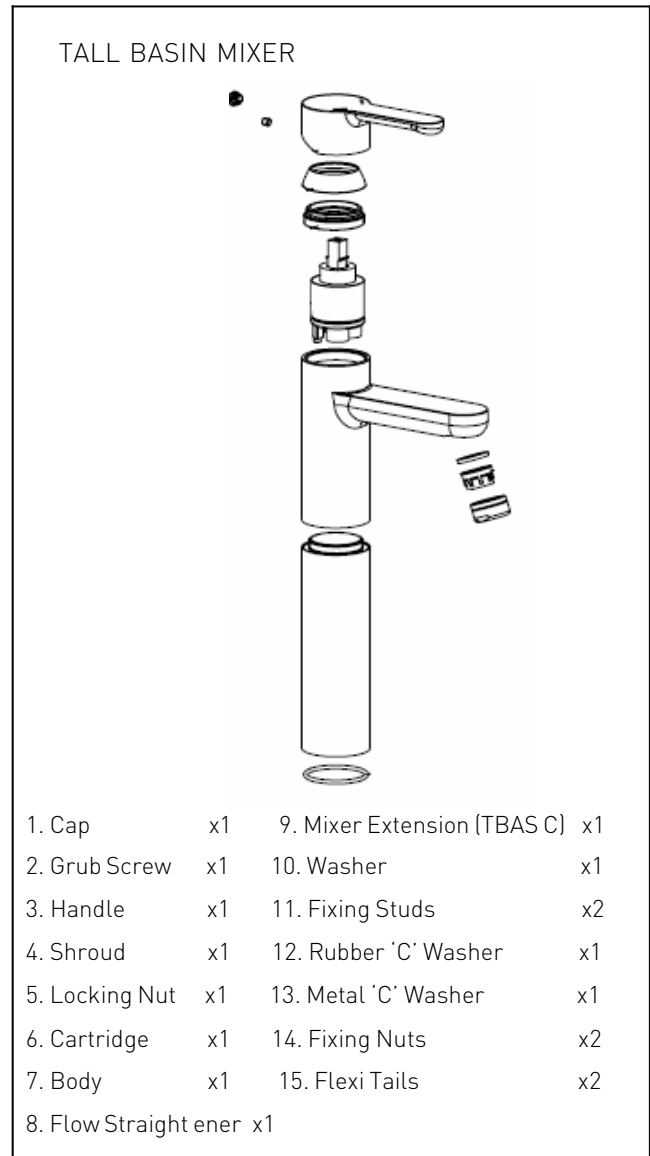
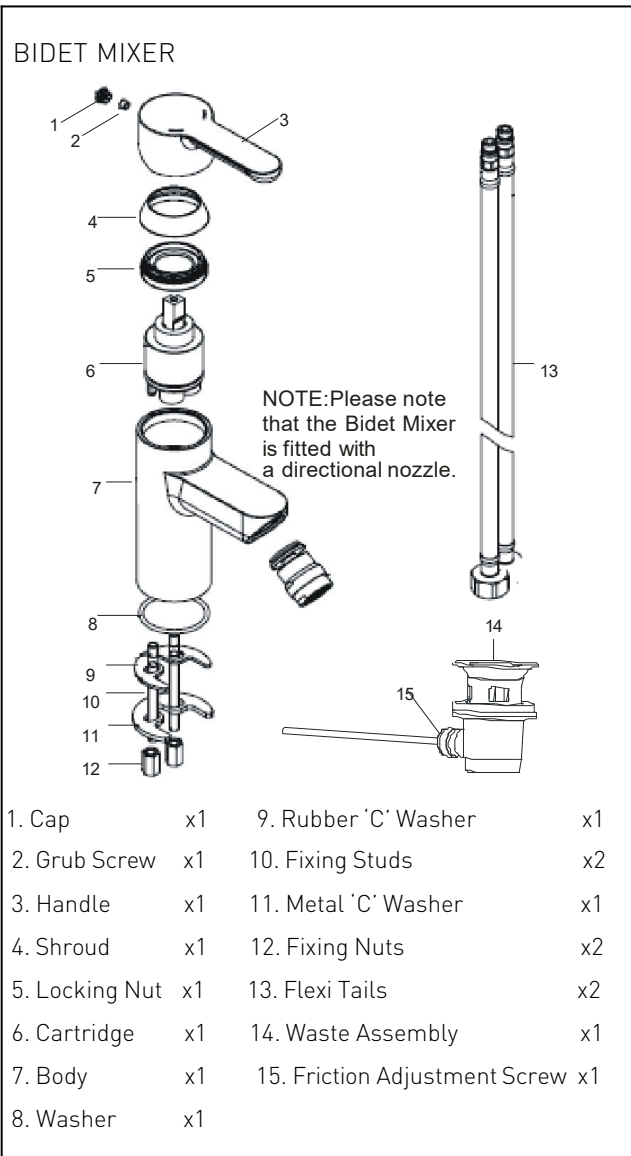
#### Pack Contents

1. Cap	x2	6. Flow Straightener	x2
2. Grub Screw	x2	7. Plinth	x2
3. Handle	x2	8. Washer	x4
4. Valve	x2	9. Backnut	x2
5. Body	x2		



## Bidet mixer with pop-up waste & Tall basin mixer without waste

1. Identify all components and check for completeness, particularly before commencing installation.
2. Install mixer (for tall basin mixer add extension tube (14) to mixer body (7) first) to the basin/bidet. Secure the mixer to the surface of the basin/bidet using the fixing kit, with the washer (8) over the basin/bidet. Fix the fixing studs (10) then fit the 'C' shaped rubber & metal washers (9&11) and secure with the fixing nuts (12).
3. Screw in connecting flexi tail pipes (13) by HAND ONLY (do not over tighten) and then connect the hot and cold supplies.
4. Fit the pop-up waste (if applicable), with the flat washer below and the shaped washer above the bidet. It is advised that a silicon sealant be applied to both sealing faces of the washers. The plug height can be set by adjusting the waste rod, operating rod, rod connector and then screw in the base of the plug. Friction for the waste mechanism can be adjusted using the waste cap (15). (DO NOT OVERTIGHTEN). Please make sure waste operating rod fits through the hole in the mixer and bidet to connect pop-up waste before final fixing.
5. Turn on the water supplies. Lift and turn handle both ways for a few minutes, letting the water flow, to check all joints and connections for leaks.



**IMPORTANT - PLEASE READ**

These fittings need to be installed in accordance with the following Installation Requirements and Notes (IRN) to ensure they meet the requirements of the Water Supply (Water Fittings) Regulations 1999 and the Scottish Byelaws 2004.

IRN R001 (NR ½ C, NR ¾ C, NR TBAS C, NR BID C)  
See text of entry for Installation Requirements or Notes.

IRN R006 (NR ½ C, NR ¾ C, NR TBAS C, NR BID C)  
This tap or combination tap assembly has a Type AUK3 air gap and is therefore for installation in any premises to protect against a backflow risk up to a Fluid Category 5.

IRN R010 (NR TBAS C, NR BID C) Schedule 2-15 (1)  
Water supplies shall be a reasonably balanced pressures from a common source (e.g. hot and cold supplies both from the same storage or both from a supply pipe). Where the fitting is supplied from unbalanced supplies (e.g. hot and cold supplies from separate sources) a 'Listed' single check valve or some other no less effective backflow prevention device shall be fitted immediately upstream of both hot and cold water inlets.

For backflow protection in domestic or installations up to, and including, Fluid Category 3.

1. Size of tap or combination fitting.	2. Vertical distance of outlet above spill-over level.
1. Not exceeding 1/2 in	20mm
2. Exceeding 1/2 in but not exceeding 3/4 in	25mm
3. Exceeding 3/4 in	70mm

If the fitting cannot be installed as indicated in the table it shall be installed:

- a) with an approved double check valve assembly or some other no less effective backflow prevention device immediately upstream of the inlet; or
- b) so that it draws water by gravity only from a cistern, or cylinder having a permanently open vent pipe, and the distributing pipe supplies no other fitting (other than draining tap) at a lower level.

For backflow protection in premises or installations up to, and including Fluid Category 5.

The vertical distance of the outlet above the spill-over level shall be not less than 20mm or twice the diameter of the inlet pipe to the fitting, which ever is the greater.

If the fitting cannot be installed as indicated it shall be installed with a backflow prevention arrangement suitable for the Fluid Category.

# BRISTAN

## Bristan Guarantee

At Bristan, we want to make things as easy as possible for our customers. That's why we offer solid guarantees on all our products, effective from the date of purchase, to give you peace of mind.

To start your free guarantee, simply scan the QR code and register your product.

Alternatively, visit [www.bristan.com/register](http://www.bristan.com/register) to register your product via a computer.

For full guarantee terms and conditions visit, [www.bristan.com/guarantees](http://www.bristan.com/guarantees)



*We Know & We Care*

Notes

# BRISTAN

This booklet covers all product codes  
NR ½ C / NR ¾ C / NR BID C / NR TBAS C

Helpline  
0330 026 6273

Bristan Group Limited  
Birch Coppice Business Park, Dordon, Tamworth, Staffordshire  
B78 1SG

A Masco Company

Website:

[www.bristan.com](http://www.bristan.com)

Telephone: 0330 026 6273

Email: [enquire@bristan.com](mailto:enquire@bristan.com)