

VAL WMBRSM C CD

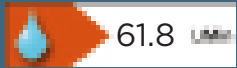
LEVER Tap Range Lever Wall Mounted Bridge Sink Mixer with Ceramic Disc Valves Chrome



Features:

- Dual flow
- VAL WMBRSM C CD supplied with 3"(76mm) metal levers
- Supplied with metal backnuts
- Chrome plated to BS EN 248

Product Certifications:



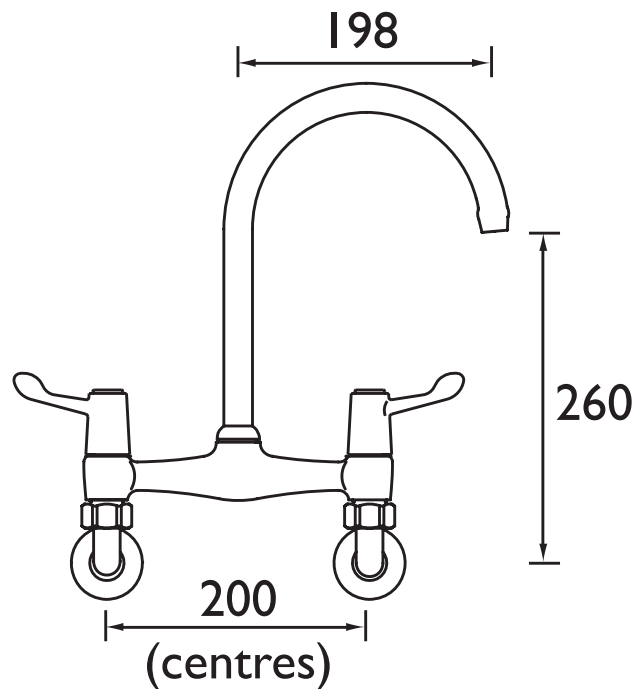
For more products, visit our website:



Specification

Style:	Contemporary
Product Type:	Kitchen Taps
Finish/Colour:	Chrome
Main Construction Material:	Brass
Mount Type:	Wall Mounted
Handle Type:	Lever
Connection Inlet:	1/2" BSP
Number of Tap Holes Required:	2
Valve/Cartridge Type:	1/2" Ceramic Disc Valves
Plumbing System Suitability	All, preferably balanced
Working Pressure Range:	Min 0.2 Bar, Max 8.0 Bar
Maximum Hot Water Temperature: °c	65
Maximum Dynamic Pressure: (bar)	8
Maximum Static Pressure: (bar)	10
Flow Type:	Dual Flow
Flow Rate: (l/min @ 3 bar)	61.8
Connection Outlet:	
Isolation Included:	No

Dimensions (measurements in mm)



Flow Rates (l/min)

System Pressure (bar)	0.2	0.5	1	2	3	5
VAL WMBRSM C CD	16	25.2	35.7	50.5	61.8	79.8

TECHNICAL
DATA
SHEET



BRISTAN
TAPS & SHOWERS

D5