

# QD EBASNW C

## QUADRATO Tap Range

Quadrato Basin Mixer with  
Eco-Click (no waste) Chrome



### Features:

- Long life ceramic cartridge for added durability and ease of use
- Metal fixing nut for added durability
- Flexible tails included
- Eco-click cartridge offers subtle resistance as it reaches approximately half its full flow capacity, saving water. This feature can be over-ridden for increased flow
- Incorporates safety feature allowing maximum water outlet temperature to be controlled by repositioning the plastic collar under the control lever to limit its travel

### Product Certifications:



WRAS Certificate No: 1612069  
WRAS Expiry Date: 31/12/2021



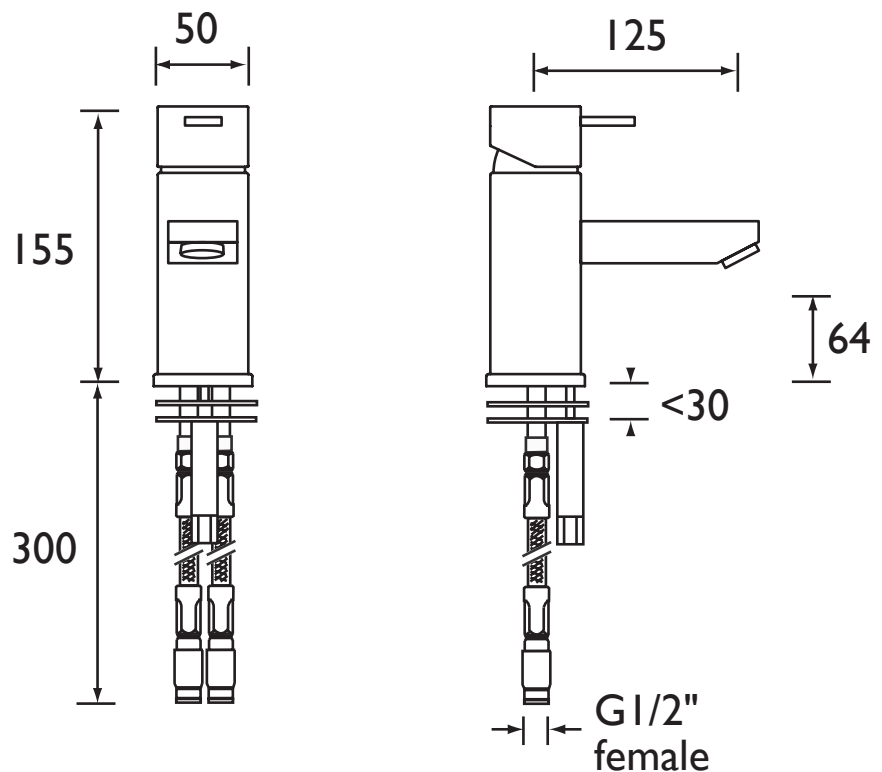
For more products, visit our website:  
<http://www.bristan.com>



### Specification

<b>Product Type:</b>	Bathroom Taps
<b>Main Construction Material:</b>	Brass
<b>Mount Type:</b>	Deck
<b>Handle Type:</b>	Lever
<b>Connection Inlet:</b>	1/2" Female Flexible Tails
<b>Connection Outlet:</b>	M24 Flow Straightener
<b>Number of Tap Holes:</b>	1
<b>Valve/Cartridge Type:</b>	35mm Cartridge
<b>Plumbing System Requirements:</b>	All, preferably balanced
<b>Working Pressure Range:</b>	Min: 0.5 bar, Max: 5 bar
<b>Maximum Hot Water Temperature: °C</b>	65
<b>Maximum Static Pressure: (bar)</b>	10
<b>Flow Type:</b>	Single
<b>Isolation Included:</b>	No

### Dimensions (measurements in mm)



### Flow Rates (l/min)

System Pressure (bar)	0.5	1	2	3	5
QD EBASNW C	7.6	10.6	14.9	17.3	21.5

TECHNICAL  
DATA  
SHEET



**BRISTAN**  
TAPS & SHOWERS