

TECHNICAL DATA SHEET



OVAL

Eco Basin Mixer without Waste

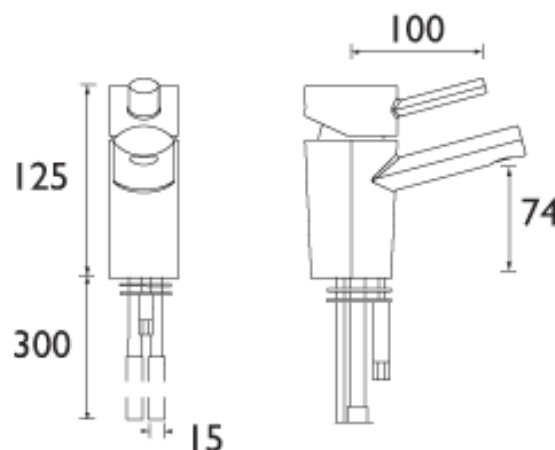
Product Specification

Product Code:	OL EBASNW C
Finish:	Chrome
Product Type:	Contemporary
Construction:	Body is of Brass Construction and is designed to conform to BS EN 817
Valve Type:	35mm Ceramic Cartridge
Supply:	Suitable for all plumbing systems, preferably balanced
Inlet Connections:	M10 x 15mm Flexible Tails
Water Pressure:	Min 0.2 bar, Max. 8.0 bar



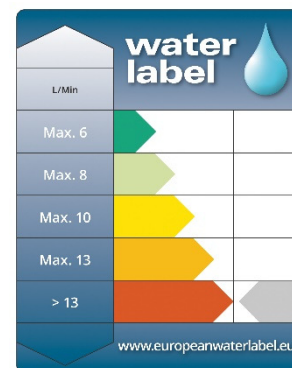
Additional Information

- Supplied with metal handle and backnut
- Includes Eco-Click water saving feature. Cartridge offers subtle resistance as it reaches approximately half of its full flow capability, saving water. For increased flow the eco-click feature can be over-ridden
- Incorporates additional safety feature where by the maximum temperature can be controlled by repositioning the plastic collar under the control lever to limit its travel
- Chrome plated to BS EN 248



Flow Rates (litres per minute)

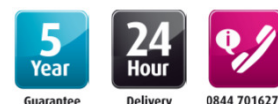
System Pressure	0.2bar	0.5bar	1.0bar	2.0bar	3.0bar	5.0bar
BAS (with Eco feature)	1.5	2.9	3.2	4.3	5.27	6.8
BAS (without Eco feature)	4.6	8.57	11.5	16.9	21	27.2



Technical Advice: For further information please call 0844 7016273 or email customercare@bristan.com

Guarantee: 5 years covering manufacturing faults.

Bristan, Birch Coppice Business Park, Dordon, Tamworth, B78 1SG
 Telephone: 0844 701 6274 Facsimile: 0844 701 6275
 Web Site: www.bristan.com Email: enquire@bristan.com



The information contained on this page was correct at date of issue. Fitting dimensions are provided as a guide only. Some variation may occur due to manufacturing tolerances. Bristan pursues a policy of continuing improvement in design and performance of its products and so reserves the right to change specifications without prior notice.