

# TECHNICAL DATA SHEET



## OVAL Bath Filler

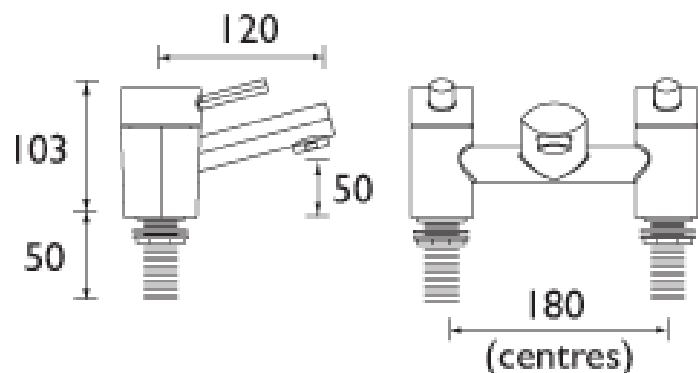
### Product Specification

**Product Code:** OL BF C  
**Finish:** Chrome  
**Product Type:** Contemporary  
**Construction:** Body is of Brass Construction and is designed to conform to BS EN 200  
**Valve Type:** ¼ turn ¾" Ceramic Disc Valves  
**Supply:** Suitable for all plumbing systems, preferably balanced  
**Inlet Connections:** ¾" BSP  
**Water Pressure:** Min 0.2 bar, Max. 8.0 bar



### Additional Information

- Supplied with metal handles and backnuts
- Chrome plated to BS EN 248



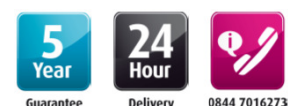
### Flow Rates (litres per minute)

System Pressure	0.2bar	0.5bar	1.0bar	2.0bar	3.0bar	5.0bar
Bath Filler (Mixed)	16.32	45.74	64.68	91.48	112.04	144.64

**Technical Advice:** For further information please call 0844 7016273  
or email [customercare@bristan.com](mailto:customercare@bristan.com)

**Guarantee:** 5 years covering manufacturing faults.

Bristan, Birch Coppice Business Park, Dordon, Tamworth, B78 1SG  
Telephone: 0844 701 6274 Facsimile: 0844 701 6275  
Web Site: [www.bristan.com](http://www.bristan.com) Email: [enquire@bristan.com](mailto:enquire@bristan.com)



The information contained on this page was correct at date of issue. Fitting dimensions are provided as a guide only. Some variation may occur due to manufacturing tolerances. Bristan pursues a policy of continuing improvement in design and performance of its products and so reserves the right to change specifications without prior notice.