



Specification	
Style:	Contemporary
Product Type:	Bathroom taps
Finish/Colour:	Chrome
Main Construction Material:	Brass
Mount Type:	Deck
Handle Type:	Paddle
Connection Inlet:	1/2" BSP
Number of Tap Holes Required:	2
Valve/Cartridge Type:	1/2" Ceramic Disc Valves
Plumbing System Suitability	All
Working Pressure Range:	Min 0.2 bar - Max 5 bar
Maximum Hot Water Temperature: °c	65
Maximum Dynamic Pressure: (bar)	5
Maximum Static Pressure: (bar)	10
Flow Type:	Single Flow
Flow Rate: (l/min @ 3 bar)	30.6
Connection Outlet:	M18 Flow Straightener
Isolation Included:	No

Features:

- Ceramic disc cartridge for smooth temperature and flow control
- Easy-to-use lever handles
- High performance at pressures as low as 0.2 bar
- Metal back nuts for added durability

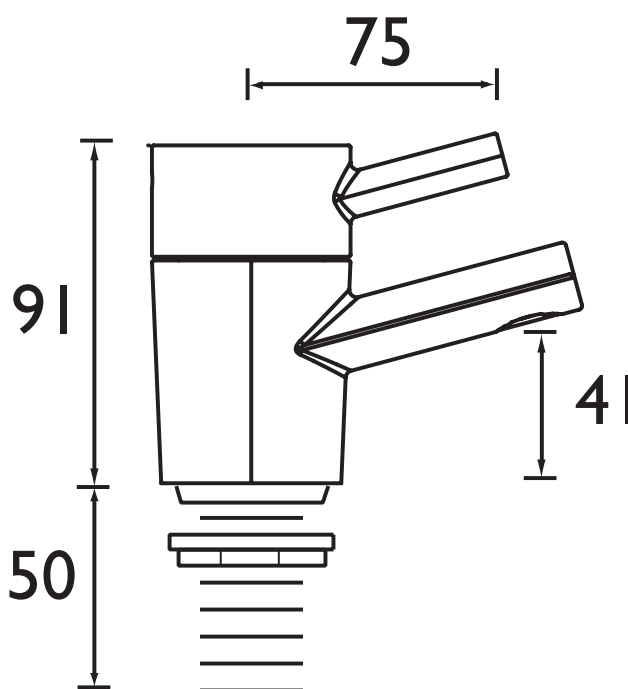
Product Certifications:



For more products, visit our website:



Dimensions (measurements in mm)



Flow Rates (l/min)

System Pressure (bar)	0.2	0.5	1	2	3	5
OL 1/2 C	7.3	10.7	17.4	24.9	30.6	39.5

TECHNICAL DATA SHEET



BRISTAN

TAPS & SHOWERS