

# CAP BASNW C

## CAPRI Tap Range Capri Basin Mixer (no waste) Chrome



### Features:

- Long life ceramic cartridge for added durability and ease of use
- Metal fixing nut for added durability
- Flexible tails included
- Chrome plated to BS EN 248

### Product Certifications:



WRAS Certificate No: 2003908  
WRAS Expiry Date: 31/03/2025



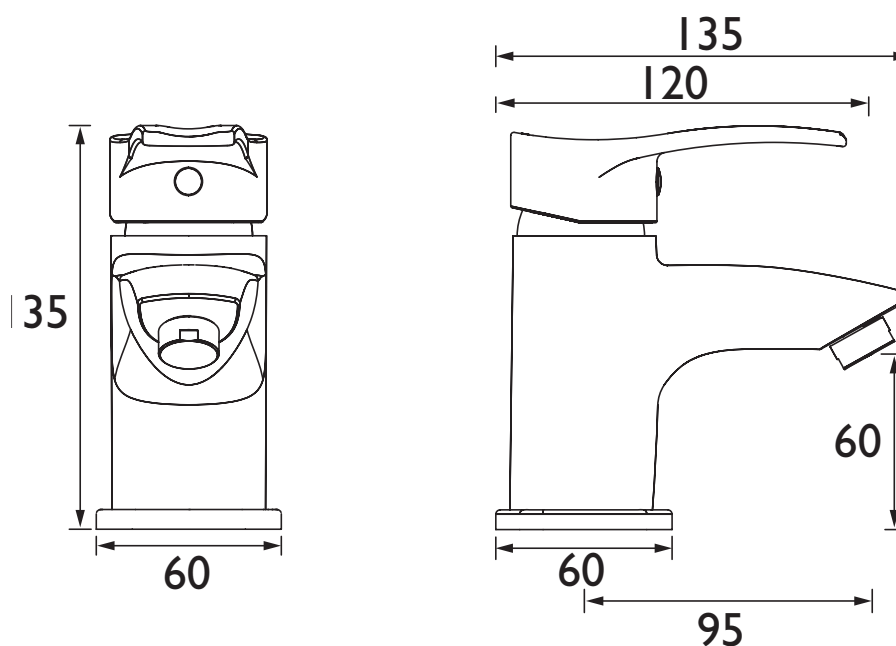
For more products, visit our website:  
<http://www.bristan.com>



### Specification

<b>Product Type:</b>	Bathroom Tap
<b>Main Construction Material:</b>	Brass
<b>Mount Type:</b>	Deck
<b>Handle Type:</b>	Lever
<b>Connection Inlet:</b>	M1 x 15mm flexible connection inlets
<b>Connection Outlet:</b>	M20 Flow Straightener
<b>Number of Tap Holes:</b>	1
<b>Valve/Cartridge Type:</b>	35mm Ceramic Disc Cartridge
<b>Plumbing System Requirements:</b>	Suitable for all plumbing systems, ideally balanced
<b>Minimum Dynamic Pressure (bar):</b>	0.2 bar
<b>Maximum Dynamic Pressure (bar):</b>	5.0 bar
<b>Maximum Hot Water Temperature °C:</b>	65°C
<b>Maximum Static Pressure (bar):</b>	10 bar
<b>Flow Type:</b>	Single
<b>Isolation Included:</b>	No

### Dimensions (measurements in mm)



### Flow Rates (l/min)

System Pressure (bar)	0.2	0.5	1	2	3	5
CAP BASNW C (mixed)	5	5	5	5	5	5

## TECHNICAL DATA SHEET



# BRISTAN

D9