

QD BID C

QUADRATO Tap Range Quadrato Bidet Mixer with Pop-up Waste Chrome



Features:

- Long life ceramic cartridge for added durability and ease of use
- Metal fixing nut for added durability
- Flexible tails included
- Incorporates safety feature allowing maximum water outlet temperature to be controlled by repositioning the plastic collar under the control lever to limit its travel
- Minimum working pressure of 0.5 bar

Product Certifications:



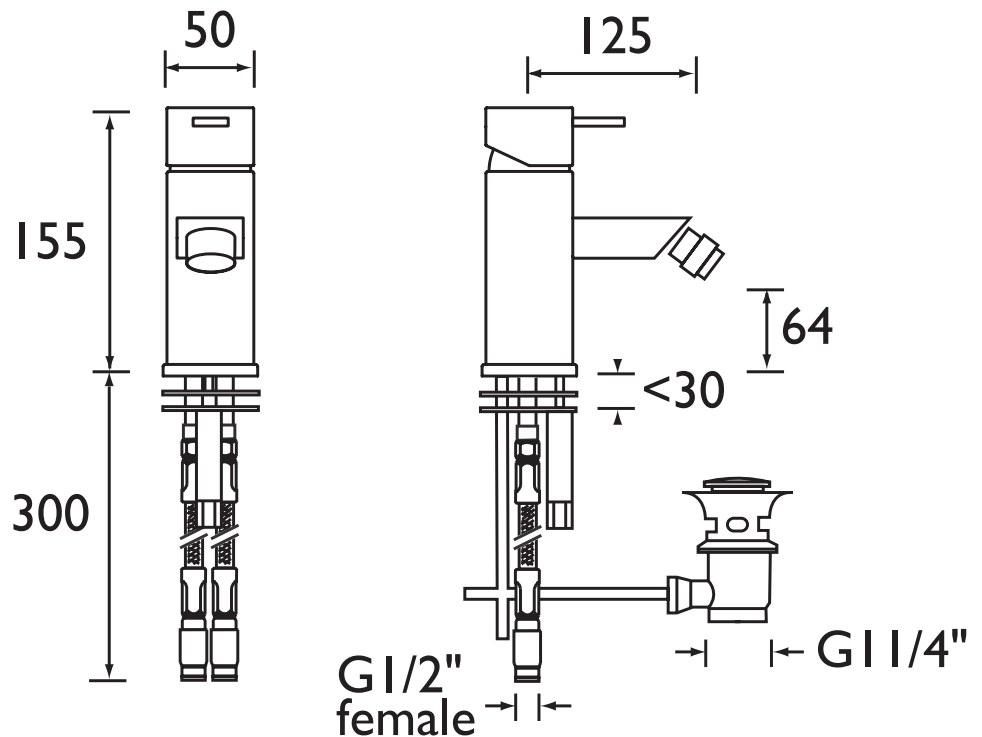
For more products, visit our website:
<http://www.bristan.com>



Specification

Product Type:	Bathroom Taps
Main Construction Material:	Brass
Mount Type:	Deck
Handle Type:	Lever
Connection Inlet:	1/2" female flexible inlets
Connection Outlet:	Swivel Flow Straightener
Number of Tap Holes:	1
Valve/Cartridge Type:	35mm Cartridge
Plumbing System Requirements:	All, preferably balanced
Working Pressure Range:	Min: 0.5 bar, Max: 5 bar
Maximum Hot Water Temperature: °C	65
Maximum Static Pressure: (bar)	10
Flow Type:	Single
Isolation Included:	No

Dimensions (measurements in mm)



Flow Rates (l/min)

System Pressure (bar)	0.5	1	2	3	5
QD BID C	2.9	4	5.7	7	9

TECHNICAL
DATA
SHEET



BRISTAN
TAPS & SHOWERS D8