

# VAL SNK C CD

## VALUE Tap Range Lever Monobloc Sink Mixer Chrome With Ceramic Disc Valves



### Specification

<b>Product Type:</b>	Kitchen Tap
<b>Main Construction Material:</b>	Brass
<b>Mount Type:</b>	Deck Mounted
<b>Handle Type:</b>	3" Lever Handles
<b>Connection Inlet:</b>	15mm Copper Tails
<b>Connection Outlet:</b>	N/A
<b>Number of Tap Holes:</b>	1
<b>Valve/Cartridge Type:</b>	Quarter Turn Ceramic Disc Valves
<b>Plumbing System Requirements:</b>	All - Ideally Balanced
<b>Working Pressure Range:</b>	Min. 0.2 Bar - Max 8.0 Bar
<b>Maximum Hot Water Temperature: °C</b>	60
<b>Maximum Static Pressure: (bar)</b>	10
<b>Flow Type:</b>	Singlr Flow
<b>Isolation Included:</b>	No

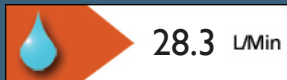
### Features:

- Long life and easy to use 1/4 turn ceramic disc valves
- Metal fixing nut for added durability
- Supplied with 3" (76mm) metal lever handles

### Product Certifications:



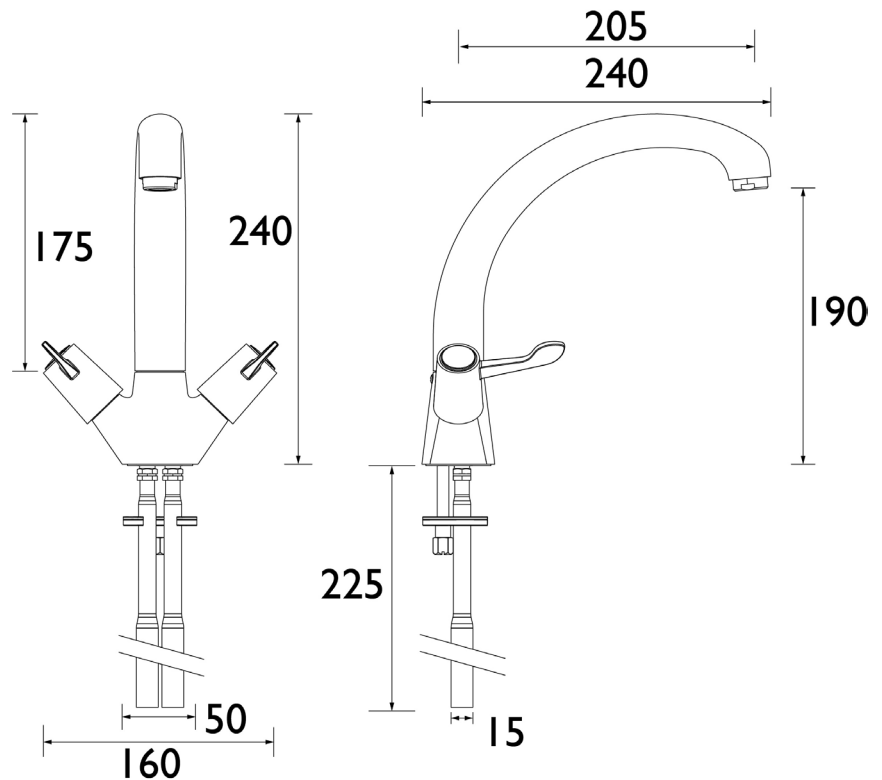
WRAS Expiry Date: 31/12/2024  
WRAS Cert. Number: 1911900



For more products, visit our website:  
<http://www.bristan.com>



### Dimensions (measurements in mm)



### Flow Rates (l/min)

System Pressure (bar)	0.2	0.5	1	2	3	5
VAL SNK C CD	7.3	11.6	16.5	23.1	28.3	36.6

## TECHNICAL DATA SHEET



# BRISTAN

D10