

# TECHNICAL DATA SHEET



## LEVER

### Pillar Bridge Sink Mixer with 3" Levers

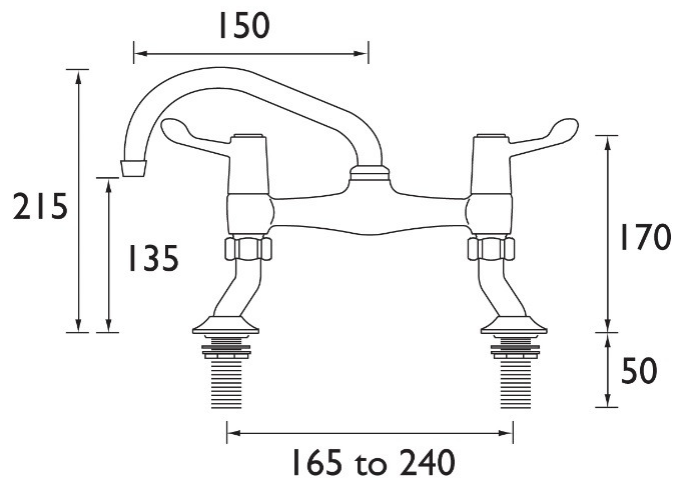
#### Product Specification

**Product Code:** VAL PSNK C CD  
**Finishes:** Chrome  
**Product Type:** Contemporary  
**Construction:** Tap bodies are of all brass construction  
**Valve Type:** ¼ Turn ½" ceramic disc valve  
**Supply:** Suitable for all plumbing systems, preferably balanced  
**Inlet Connections:** ½" BSP  
**Water Pressure:** Min 0.2 bar, Max. 7.0 bar



#### Additional Information

- Dual flow
- Supplied with 3" (76mm) metal levers
- Supplied with metal back nuts
- Chrome plated to BS EN 248



#### Flow Rates (litres per minute)

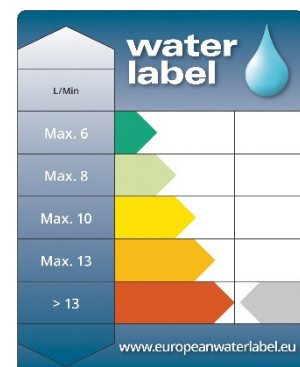
System Pressure	0.2bar	0.4bar	1.0bar	2.0bar	3.0bar	5.0bar
Pillar Sink Mixer	8.9	12.9	19.5	28.5	34.9	45.0

#### Compliance/Approvals

**WRAS Approval No:** 1411704

**Technical Advice:** For further information please call 0844 7016273 or email [customercare@bristan.com](mailto:customercare@bristan.com)

**Guarantee:** 5 years covering manufacturing faults.



Bristan, Birch Coppice Business Park, Dordon, Tamworth, B78 1SG  
 Telephone: 0844 701 6274 Facsimile: 0844 701 6275  
 Web Site: [www.bristan.com](http://www.bristan.com) Email: [enquire@bristan.com](mailto:enquire@bristan.com)



The information contained on this page was correct at date of issue. Fitting dimensions are provided as a guide only. Some variation may occur due to manufacturing tolerances. Bristan pursues a policy of continuing improvement in design and performance of its products and so reserves the right to change specifications without prior notice.