

VAL BRDSM C 6 CD

VALUE Tap Range Lever Bridge Deck Sink Mixer Chrome With 6 Levers & Ceramic Disc Valves



Image shows 3" handles

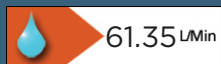
Features:

- Long life and easy to use 1/4 turn ceramic disc valves
- Metal back nuts for added durability
- Supplied with 6" (152mm) metal lever handles
- Dual flow prevents hot water entering the mains supply

Product Certifications:



WRAS Cert. Number: 1909900
WRAS Expiry Date: 30/09/2024



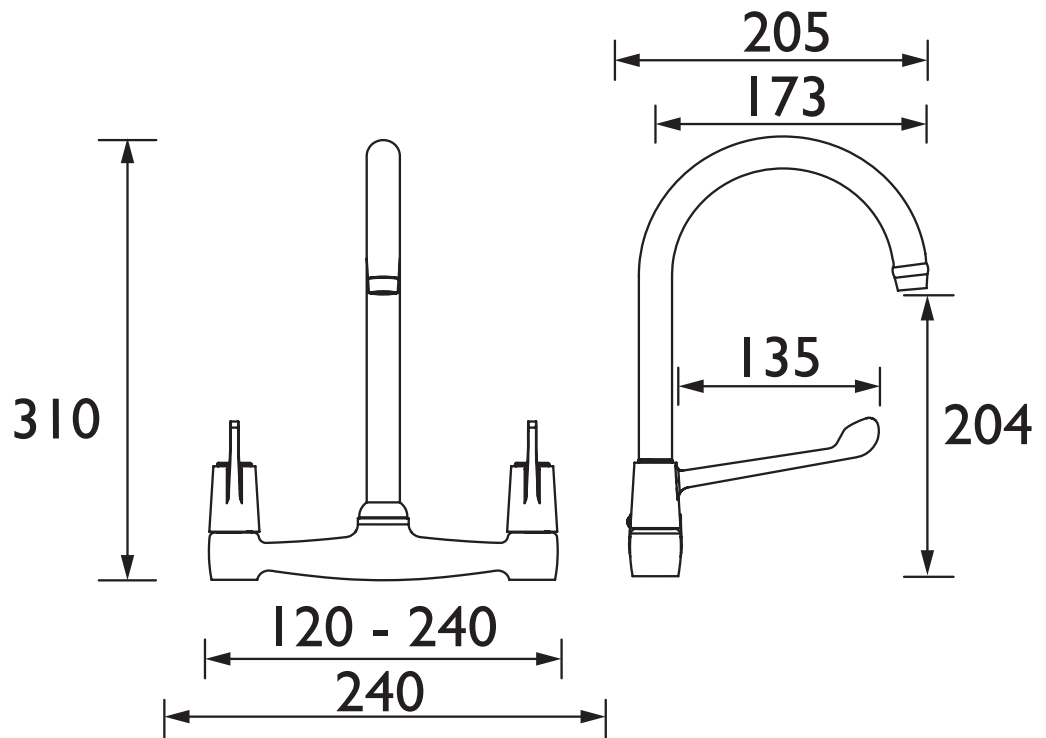
For more products, visit our website:
<http://www.bristan.com>



Specification

Product Type:	Kitchen Tap
Main Construction Material:	Brass
Mount Type:	Deck Mounted
Handle Type:	Lever Handles
Connection Inlet:	1/2" BSP
Connection Outlet:	Open
Number of Tap Holes:	2
Valve/Cartridge Type:	1/4 Turn 1/2" Ceramic Disc Valves
Plumbing System Requirements:	All - Ideally Balanced
Minimum Dynamic Pressure:	0.2 Bar
Maximum Dynamic Pressure:	7.0 Bar
Maximum Hot Water Temperature: °C	65
Maximum Static Pressure: (bar)	10
Flow Type:	Dual

Dimensions (measurements in mm)



Flow Rates (l/min)

System Pressure (bar)	0.2	0.5	1	2	3	5
VAL BRDSM C 6 CD	12.83	24.16	34.17	49.52	61.35	79.15

TECHNICAL
DATA
SHEET



BRISTAN

D10