

VAL BF C CD

LEVER Tap Range

Lever Bath Filler With Ceramic Disc Valves Chrome



Specification

Product Type:	Bathroom Tap
Main Construction Material:	Brass
Mount Type:	Deck Mounted
Handle Type:	Lever Handles
Connection Inlet:	3/4" BSP
Connection Outlet:	Flow Straightener
Number of Tap Holes:	2
Valve/Cartridge Type:	Quarter Turn 3/4" Ceramic Disc Valves
Plumbing System Requirements:	Suitable for all plumbing systems
Minimum Dynamic Pressure:	0.2 Bar
Maximum Dynamic Pressure:	7.0 Bar
Maximum Hot Water Temperature: °C	65
Maximum Static Pressure: (bar)	10
Flow Type:	Single Flow
Isolation Included:	No

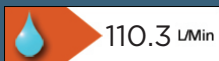
Features:

- Long life and easy to use 1/4 turn ceramic disc valves
- Metal back nuts for added durability
- Supplied with 3" (76mm) metal lever handles

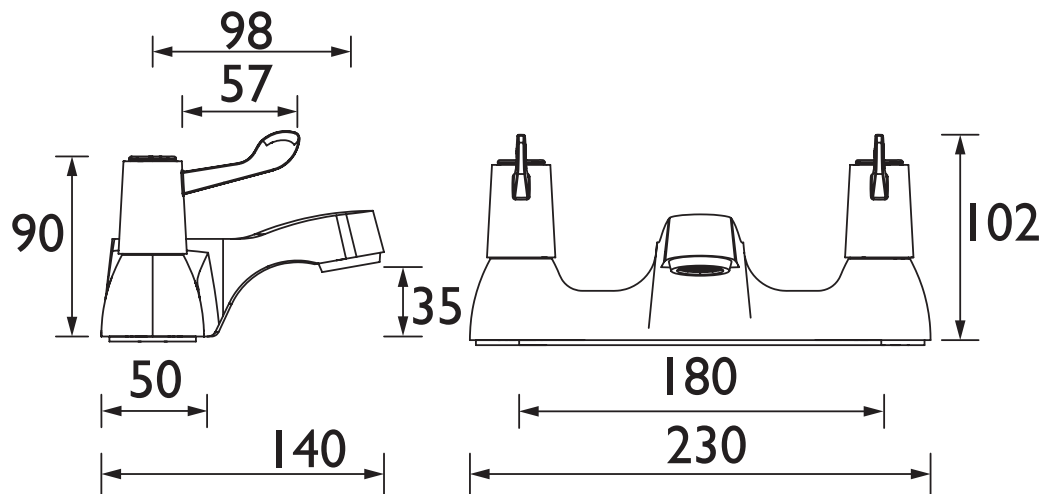
Product Certifications:



WRAS Cert. Number: 1909902
WRAS Expiry Date: 30/09/2024



Dimensions (measurements in mm)



For more products, visit our website:
<http://www.bristan.com>



Flow Rates (l/min)

System Pressure (bar)	0.2	0.5	1	2	3	5
VAL BF C CD	26.6	42.05	65.3	90.1	110.3	133

TECHNICAL DATA SHEET



BRISTAN

D7