

TECHNICAL DATA SHEET

CROSS HEAD Deck Sink Mixer

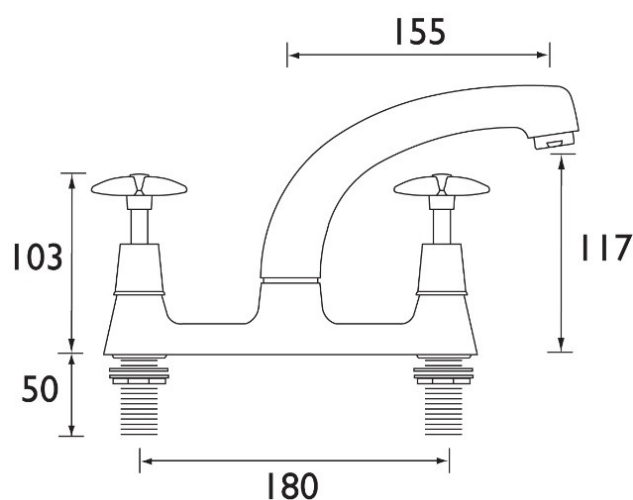
Product Specification

Product Code:	VAX DSM C
Finishes:	Chrome
Product Type:	Contemporary
Construction:	Tap bodies are of all brass construction
Valve Type:	½" Standard valve
Supply:	Suitable for all plumbing systems, preferably balanced
Inlet Connections:	½" BSP
Water Pressure:	Min 2.0 bar Max. 0.7 bar



Additional Information

- Supplied with metal heads
- Supplied with metal back nuts
- Chrome plated to BS EN 248



Flow Rates (litres per minute)

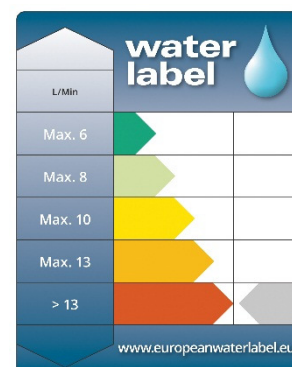
System Pressure	0.2bar	0.4bar	1.0bar	2.0bar	3.0bar	5.0bar
Deck Sink Mixer	9.3	13.5	20.5	29.7	36.3	46.9

Compliance/Approvals

WRAS Approval No: 1408708

Technical Advice: For further information please call 0844 7016273 or email customercare@bristan.com

Guarantee: 5 years covering manufacturing faults.



Bristan, Birch Coppice Business Park, Dordon, Tamworth, B78 1SG
Telephone: 0844 701 6274 Facsimile: 0844 701 6275
Web Site: www.bristan.com Email: enquire@bristan.com

