

VAC BSNK C MT

VALUE Tap Range Club Budget Monobloc Sink Mixer Chrome With Metal Heads



Features:

- Dual flow prevents hot water entering the mains supply
- Metal handles
- A hard-wearing, flawless, scratch resistant chrome finish that lasts for years. Salt spray tested to ensure added durability.
- 5 year parts and 1 year labour guarantee for peace of mind.
- Co-ordinating Bathroom taps and Accessories available

Product Certifications:



WRAS Certificate No: 250403302
WRAS Expiry Date: 30/04/2030



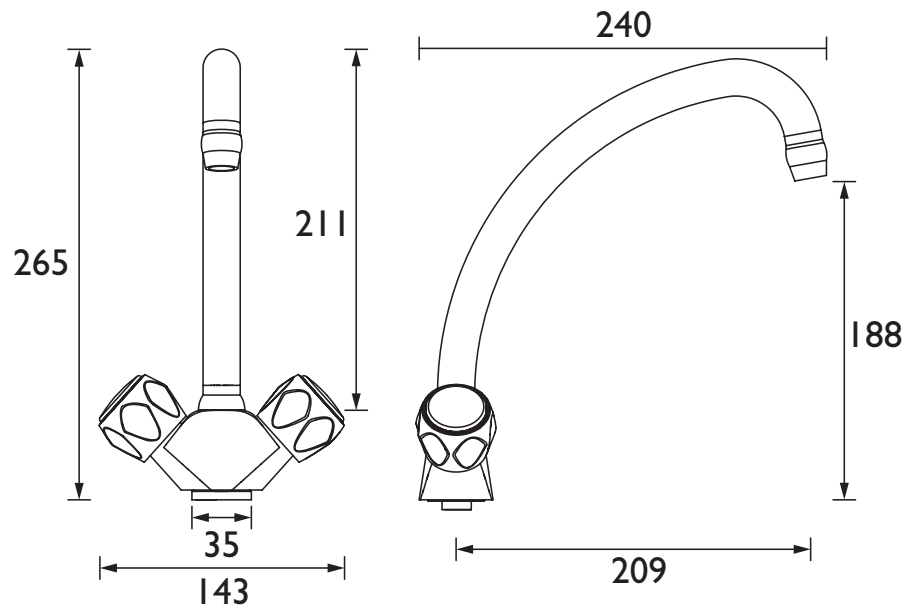
For more products, visit our website:
<http://www.bristan.com>



Specification

Product Type:	Kitchen Taps
Main Construction Material:	Brass; ABS; Zinc Alloy
Mount Type:	Deck Mounted
Handle Type:	Club Handles
Connection Inlet:	15mm Copper Tails
Connection Outlet:	Open
Number of Tap Holes:	1
Valve/Cartridge Type:	1/2" Compression Valve
Plumbing System Requirements:	Suitable for all plumbing systems
Minimum Dynamic Pressure (bar):	0.2 bar
Maximum Dynamic Pressure (bar):	5 bar
Maximum Hot Water Temperature °C:	65°C
Maximum Static Pressure (bar):	10 bar
Flow Type:	Dual Flow
Isolation Included:	No

Dimensions (measurements in mm)



Flow Rates (l/min)

System Pressure (bar)	0.2	0.5	1	2	3	5
VAC BSNK C MT (mixed)	16.9	26.7	37.8	53.5	65.5	84.6

TECHNICAL DATA SHEET



BRISTAN

D11