

VAX BIB C

VALUE Tap Range X Head Bib Taps Chrome



Features:

- Metal handles
- Chrome plated to BS EN 248

Product Certifications:



WRAS Certificate No: 240203002
WRAS Expiry Date: 28/02/2029



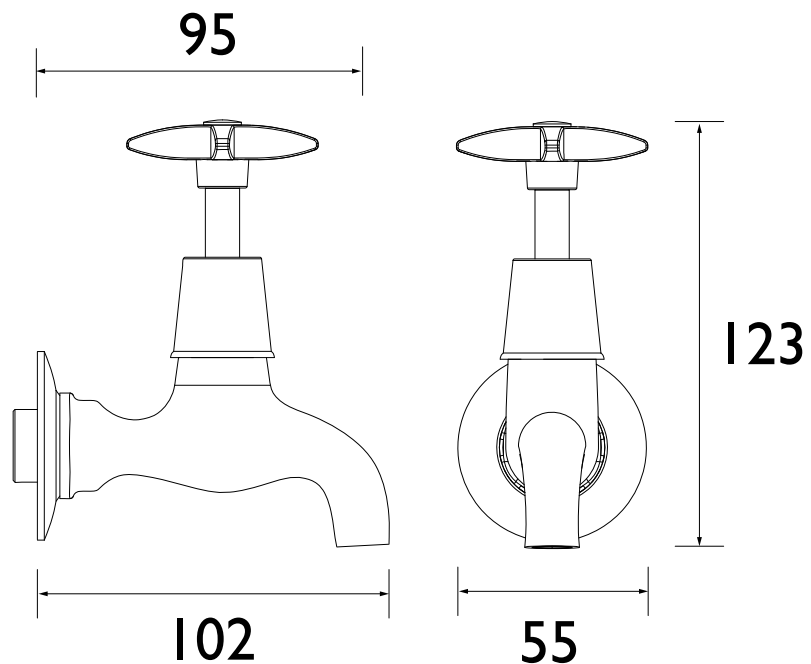
For more products, visit our website:
<http://www.bristan.com>



Specification

Product Type:	Taps
Main Construction Material:	Brass
Mount Type:	Deck
Handle Type:	Crosshead
Connection Inlet:	1/2" BSP
Connection Outlet:	Open
Number of Tap Holes:	2
Valve/Cartridge Type:	Manual
Plumbing System Requirements:	Suitable for all plumbing systems
Minimum Dynamic Pressure (bar):	0.2 bar
Maximum Dynamic Pressure (bar):	5 bar
Maximum Hot Water Temperature °C:	65°C
Maximum Static Pressure (bar):	10 bar

Dimensions (measurements in mm)



Flow Rates (l/min)

System Pressure (bar)	0.2	0.5	1	2	3	5
VAX BIB C (Cold)	10	15.8	22.3	31.5	38.6	49.8
VAX BIB C (Hot)	10	15.8	22.3	31.5	38.6	49.8

TECHNICAL DATA SHEET



BRISTAN

D10