

VAC DSM C MT

CLUB Tap Range Club Deck Sink Mixer Chrome With Metal Heads



Features:

- Supplied with metal handles
- Supplied with metal fixing nut
- Chrome plated to BS EN 248

Product Certifications:



WRAS Cert. Number: 2001916
WRAS Expiry Date: 31/01/2025



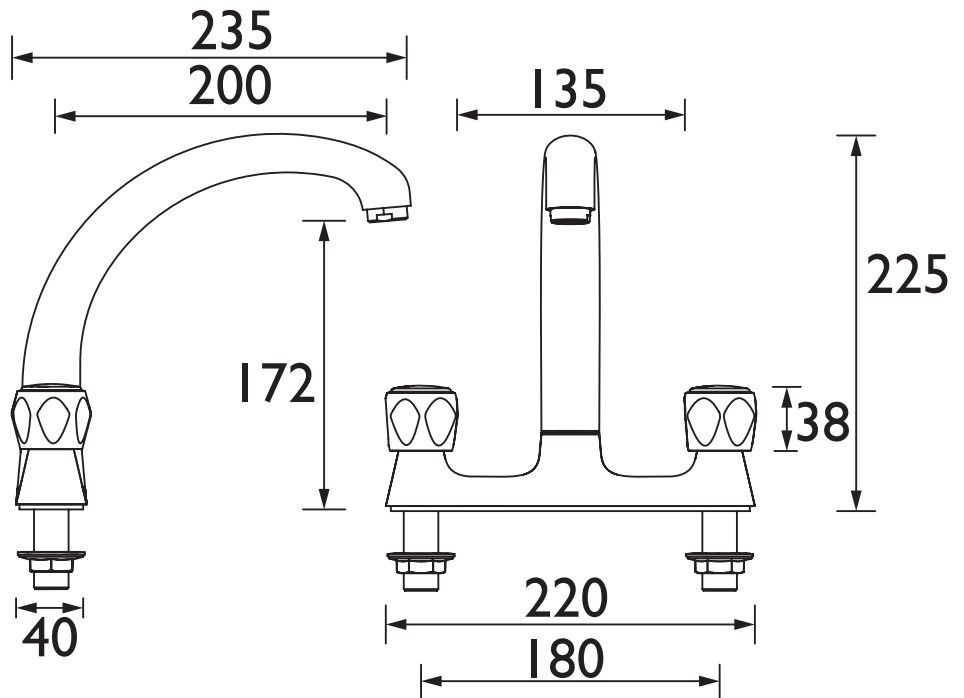
For more products, visit our website:
<http://www.bristan.com>



Specification

Product Type:	Kitchen Tap
Main Construction Material:	Brass
Mount Type:	Deck Mounted
Handle Type:	Club Handles
Connection Inlet:	1/2" BSP
Connection Outlet:	Anti-splash
Number of Tap Holes:	2
Valve/Cartridge Type:	1/2" Standard Valve
Plumbing System Requirements:	Suitable for all plumbing systems
Minimum Dynamic Pressure:	0.2 Bar
Maximum Dynamic Pressure:	5.0 Bar
Maximum Hot Water Temperature: °C	65
Maximum Static Pressure: (bar)	10
Flow Type:	Single Flow
Isolation Included:	No

Dimensions (measurements in mm)



Flow Rates (l/min)

System Pressure (bar)	0.2	0.5	1	2	3	5
VAC DSM C MT	12.7	20	28	40.5	49.6	64.1

TECHNICAL
DATA
SHEET



BRISTAN

D8