

PM SABAS C

PRISM Tap Range Prism Side Action Basin Mixer with Pop-up Waste Chrome



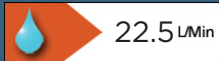
Specification

| | |
|--|---------------------------------------|
| Product Type: | Taps |
| Main Construction Material: | Brass |
| Mount Type: | Deck |
| Handle Type: | Single Lever |
| Connection Inlet: | M10 x 15mm Screw-in Copper Tail Pipes |
| Number of Tap Holes: | 1 |
| Valve/Cartridge Type: | 35mm Stepped Cartridge |
| Plumbing System Requirements: | All, preferably balanced |
| Minimum Dynamic Pressure: | 0.2 bar |
| Maximum Hot Water Temperature: °C | 65 |
| Maximum Static Pressure: (bar) | 10 |
| Isolation Included: | No |

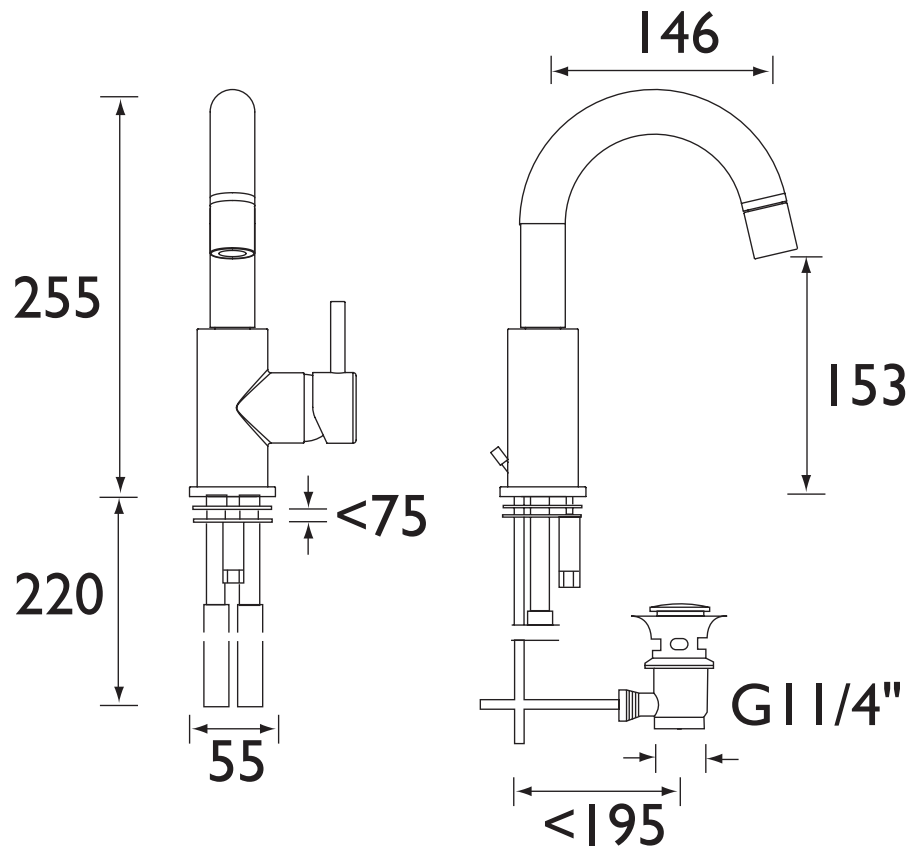
Features:

- Long life ceramic cartridge for added durability and ease of use
- Metal fixing nut for added durability
- Easy to use lever handle
- Pop-up waste included

Product Certifications:



Dimensions (measurements in mm)



For more products, visit our website:
<http://www.bristan.com>



Flow Rates (l/min)

| System Pressure (bar) | 0.2 | 0.5 | 1 | 2 | 3 | 5 |
|-----------------------|-----|-----|------|------|------|------|
| Mixed | 5 | 8.8 | 12.7 | 18.3 | 22.5 | 29.1 |

TECHNICAL DATA SHEET



BRISTAN

TAPS & SHOWERS

D2