

PM BAS2 C

PRISM Tap Range Prism 2 Handle Basin Mixer Chrome



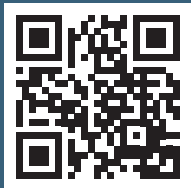
Features:

- Long life and easy to use 1/4 turn ceramic disc valves
- Metal fixing nut for added durability
- Easy to use lever handles
- Incorporates swivel spout
- Aerator flow straightener fitted for a softer non-splash flow

Product Certifications:



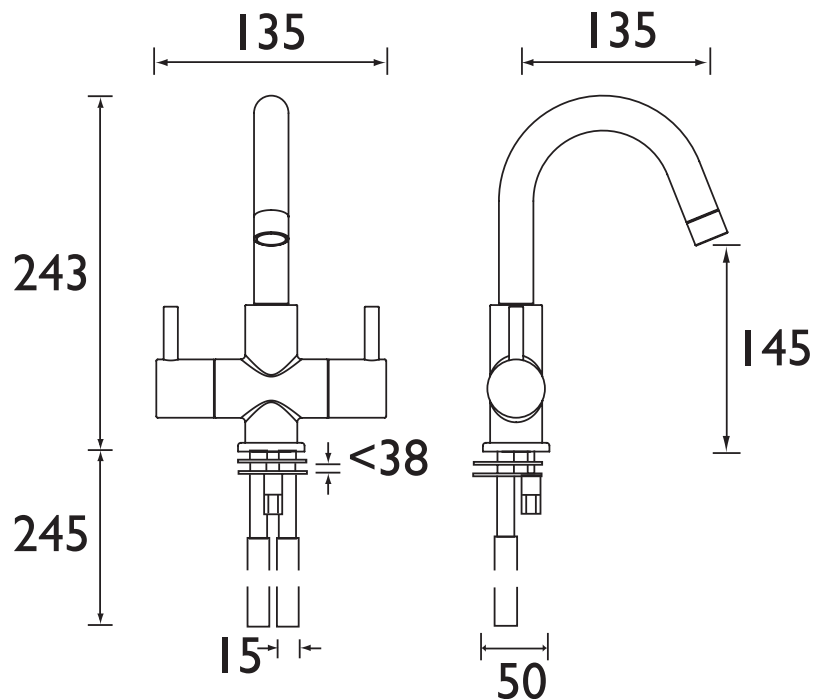
For more products, visit our website:
<http://www.bristan.com>



Specification

Product Type:	Taps
Main Construction Material:	Brass
Mount Type:	Deck
Handle Type:	Single Lever
Connection Inlet:	M12 x 15mm Screw-in Copper Tail Pipes
Number of Tap Holes:	1
Valve/Cartridge Type:	1/4 Turn 1/2" Ceramic Disc Valve
Plumbing System Requirements:	All, preferably balanced
Minimum Dynamic Pressure:	0.5 bar
Maximum Hot Water Temperature: °C	65
Maximum Static Pressure: (bar)	10
Isolation Included:	No

Dimensions (measurements in mm)



Flow Rates (l/min)

System Pressure (bar)	0.2	0.5	1	2	3	5
Mixed	-	7.9	11.9	17.2	22.2	28

TECHNICAL DATA SHEET



BRISTAN

TAPS & SHOWERS D4