

CAP BSM C

CAPRI Tap Range Capri Bath Shower Mixer Chrome



Specification	
Style:	Contemporary
Product Type:	Bathroom Taps
Finish/Colour:	Chrome
Main Construction Material:	Brass
Mount Type:	Deck
Handle Type:	Lever
Connection Inlet:	3/4" BSP
Number of Tap Holes Required:	2
Valve/Cartridge Type:	3/4" Ceramic Disc Valves
Plumbing System Suitability	All, preferably balanced
Working Pressure Range:	Min 0.3 Bar, Max 8.0 Bar
Maximum Hot Water Temperature: °c	65
Maximum Dynamic Pressure: (bar)	8
Maximum Static Pressure: (bar)	10
Flow Type:	Single Flow
Flow Rate: (l/min @ 3 bar)	19.6
Connection Outlet:	M28 Flow Straightener
Isolation Included:	No

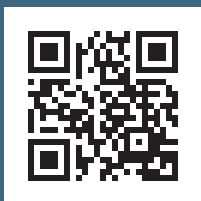
Features:

- Brass construction
- Ceramic disc valve for smooth flow control
- Easy-to-use lever handles
- Single-function rub-clean anti-limescale handset and wall bracket
- 1.5m shower hose

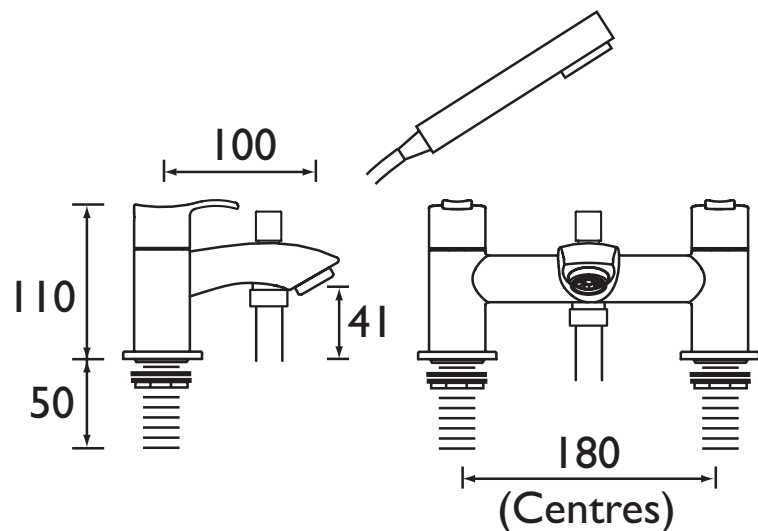
Product Certifications:



For more products, visit our website:



Dimensions (measurements in mm)



1500mm Hose, Rub Clean
Handset & Wall Bracket

Flow Rates (l/min)						
System Pressure (bar)	0.3	0.5	1	2	3	5
Through Handset	5	6.8	10.1	15.3	19.6	27.3
Bath Filler	16	20.9	30.2	43	52.7	68

TECHNICAL
DATA
SHEET



BRISTAN
TAPS & SHOWERS

D7