

TECHNICAL DATA SHEET

JUTE

Mini Twinline Thermostatic Shower Valve with Ceiling Fed Adjustable Riser

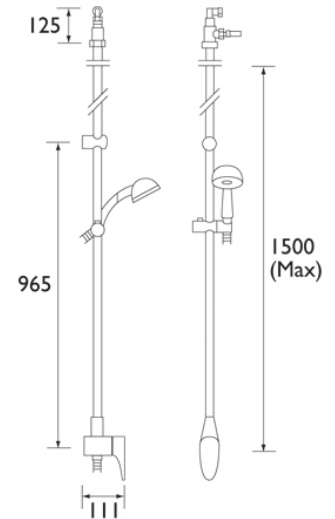
Product Specification

Product Code:	JU MTLSHX C
Finish:	Chrome
Product Type:	Contemporary
Construction:	Body is of Brass Construction
Supply:	Suitable for all plumbing systems, preferably balanced
Cartridge Type:	Thermostatic Cartridge
Inlet Connections:	15mm Compression Connections
Outlet Connections:	G ½"
Working Pressures:	Min 0.1bar, Max 5.0bar



Additional Information

- Single Control – Flow and temperature are controlled together with the sequential thermostatic cartridge
- Chrome plated to BS EN 248
- Thermostatic cartridge maintains showering temperature to +/-1°C by compensating for changes in the incoming water temperature and pressure, giving a stable outlet temperature
- Automatic shut-off in the event of hot or cold water supply failure to prevent scalding
- Temperature factory set to a maximum of 43°C to eliminate the ability to select an unsafe temperature – this is adjustable to suit user preference.
- Shower can be fitted directly to solid walls, or a pre-tiled wall. Shower is ceiling fed and cold water feed encases hot to prevent the riser from getting hot
- Supplied with integral riser rail, 1.5m shower hose, hose retainer and single function handset with rub clean nozzles



Flow Rates (litres per minute)

System Pressures	0.1bar	0.2bar	0.5bar	1.0bar	2.0bar	3.0bar	5.0bar
With Flow Regulators	3.35	4.74	7.5	10.61	15	18.37	23.72
Without Flow Regulators	6.2	9.6	15.17	21.47	30.36	37.8	48

Compliance / Approvals

Technical Advice: For further information please call 0330 026 6273 or email enquire@bristan.com

Guarantee: 5 Years

