

DUX HNK C

DU XHEAD Tap Range Design Utility X Head High Neck Kitchen Taps Chrome



Specification

| | |
|-----------------------------------|----------------------------|
| Product Type: | Bathroom |
| Main Construction Material: | Brass |
| Mount Type: | Deck Mounted |
| Handle Type: | Crosshead Handles |
| Connection Inlet: | G 1/2" BSP |
| Connection Outlet: | Open |
| Number of Tap Holes: | 2 |
| Valve/Cartridge Type: | Quarter Turn Ceramic Disc |
| Plumbing System Requirements: | All - Ideally Balanced |
| Working Pressure Range: | Min. 0.2 Bar, Max. 8.0 Bar |
| Maximum Hot Water Temperature: °C | 65 |
| Maximum Static Pressure: (bar) | 10 |
| Flow Type: | Single Flow |
| Isolation Included: | No |

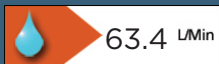
Features:

- Long life and easy to use 1/4 turn ceramic disc valves
- Product supplied with a check valve
- Chrome plated to BS EN 248

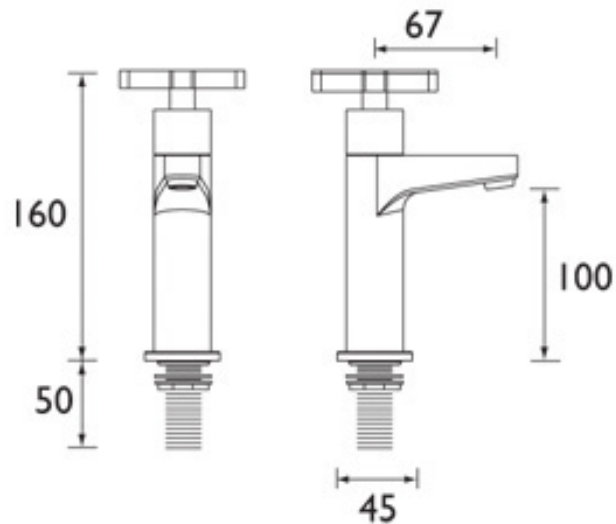
Product Certifications:



WRAS Cert. No.: 1806063
WRAS Expiry Date: 30/06/2023



Dimensions (measurements in mm)



Flow Rates (l/min)

| System Pressure (bar) | 0.2 | 0.5 | 1 | 2 | 3 | 5 |
|-----------------------|-----|------|----|------|------|------|
| DUX HNK C | 7.4 | 12.3 | 18 | 25.7 | 31.7 | 40.8 |

For more products, visit our website:
<http://www.bristan.com>



TECHNICAL
DATA
SHEET



BRISTAN
TAPS & SHOWERS D4