

# R 1/2 SL

## TAP REVIVE Tap Range

Tap Reviver 1/2 Single Lever  
Chrome



### Features:

- Suitable for use with most 1/2" 5412 and 1/2" 1010 taps
- Includes a pair of handles and standard valves
- Pack also includes various spacers and washers for use in different configurations to meet various tap seating depths

### Product Certifications:

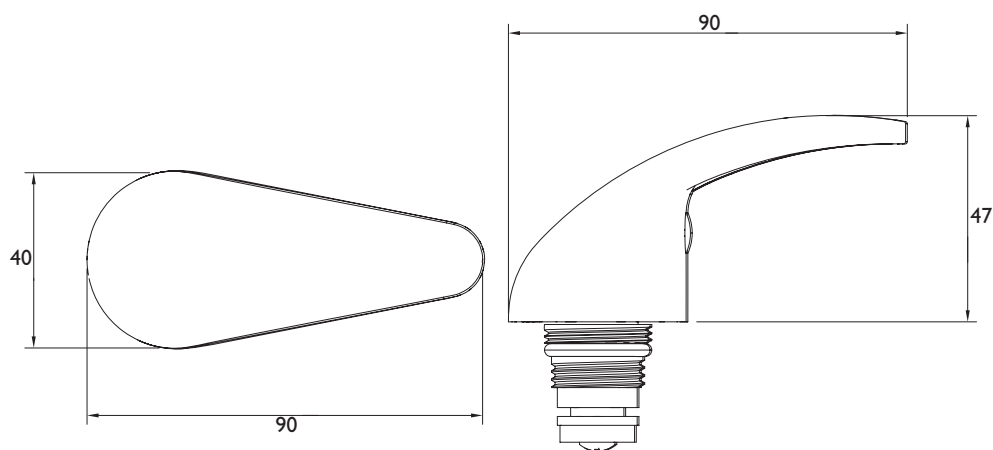
For more products, visit our website:  
<http://www.bristan.com>



### Specification

Style:	Contemporary
Product Type:	Tap Revivers
Main Construction Material:	Brass
Mount Type:	N/A
Handle Type:	Lever
Connection Inlet:	N/A
Connection Outlet:	N/A
Number of Tap Holes:	N/A
Valve/Cartridge Type:	1/2" Standard Valves
Plumbing System Requirements:	N/A
Working Pressure Range:	Min. 0.2, Max. 5.0 bar
Maximum Hot Water Temperature: °C	N/A
Maximum Dynamic Pressure: (bar)	N/A
Maximum Static Pressure: (bar)	N/A
Flow Type:	N/A
Flow Rate: (l/min @ 3 bar)	N/A
Isolation Included:	No

### Dimensions (measurements in mm)



TECHNICAL  
DATA  
SHEET



**BRISTAN**  
TAPS & SHOWERS

D3