

# BRISTAN

TAPS & SHOWERS

## Installation Instructions & User Guide

Please leave this instruction with the end user

Product Codes:  
W CL1 C, W CL1 G, W CL3 C WHT, W CL3 G WHT,  
W CL6 C WHT, W CL6 G WHT, W CL8 C

D3

### Tools you'll need



Phillips screwdriver



Adjustable spanner

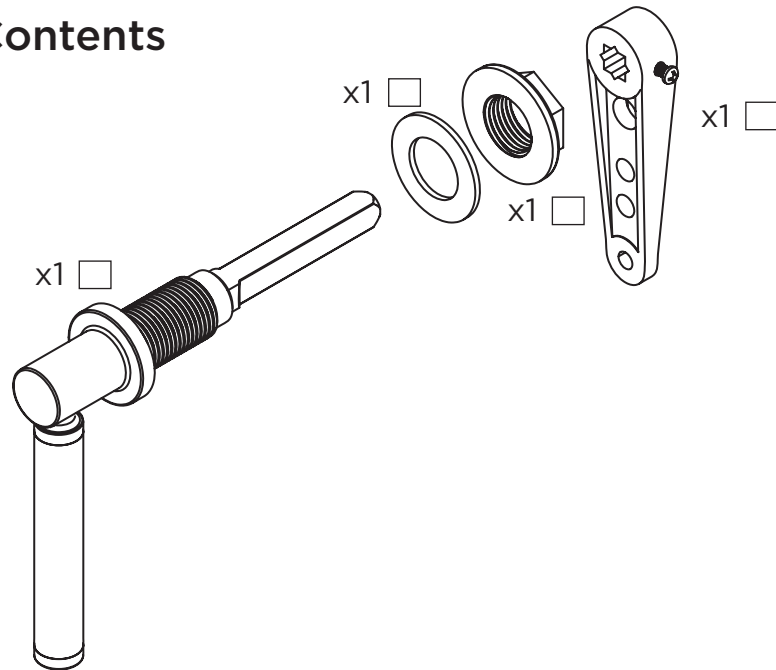
### Why not visit our Youtube channel

To see our latest how-to videos, simply scan the QR code with your smart phone or tablet.



Alternatively visit [www.youtube.com/bristantv](http://www.youtube.com/bristantv)

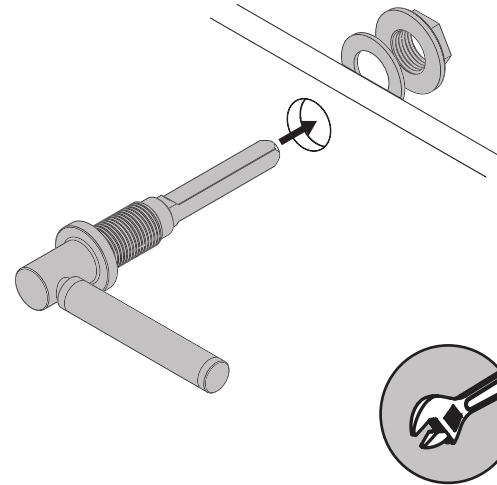
### Pack Contents



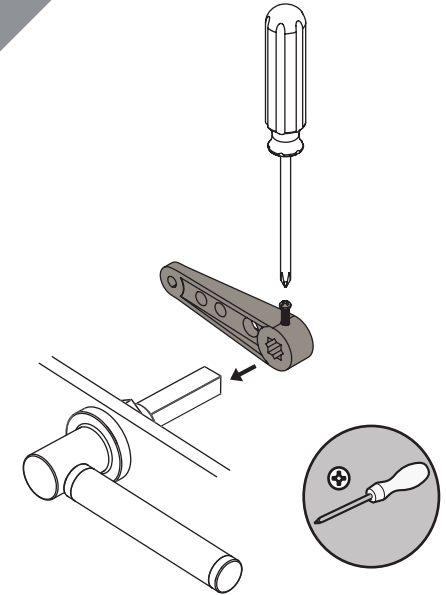
## Installation

1

Slide the threaded barrel into the hole in the cistern. Fit the rubber washer and nut on the thread and tighten firmly.

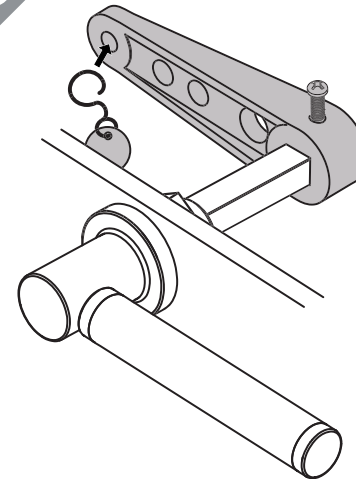


2



Attach the cistern lever arm and tighten with the locking nut.

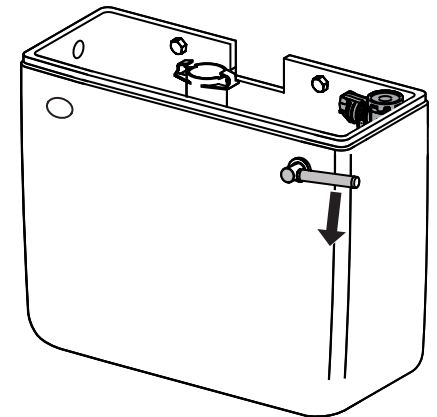
3



Hook the clip from the flush mechanism on to the adjacent hole of the arm. The handle should approximately sit between 2-3 O Clock.

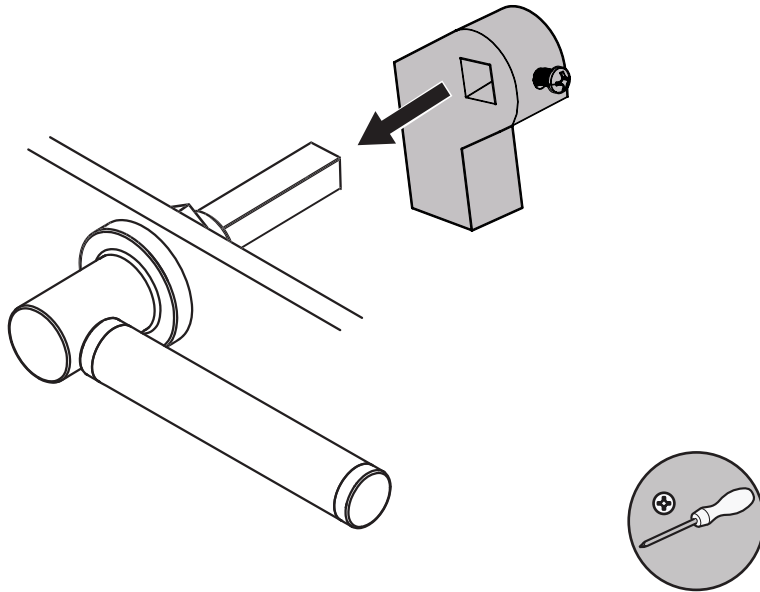
4

Check the toilet flush by operating the handle downwards and checking the toilet flushes correctly.



5

Some cistern fittings come with a fitting which connects directly to the spine of the flush handle. This means the cistern lever arm will not be needed.



## General Cleaning

Your fitting has a high quality finish and should be treated with care to preserve its condition.

A few tips for preventing defects from forming:

- Occasionally wipe the surface with a soft damp cloth and dry with a soft dry cloth.
- Do not use any abrasive cleaning agents or materials. These will change the surface condition from the standard finish.

## Notes

Please use this space for any notes you or your installer may have regarding the installation / plumbing of this product.

At Bristan, we want to make things as easy as possible for our customers. That's why we offer solid guarantees on all our products, effective from the date of purchase, to give you peace of mind. To start your **free guarantee** simply scan the QR code and register your product, alternatively visit [www.bristan.com/register](http://www.bristan.com/register).

For any other queries, please call our Customer Service on 03300266273 where our expert team of advisors will be able to offer you any help and advice.

For full guarantee terms and conditions visit [www.bristan.com/guarantees](http://www.bristan.com/guarantees).



*We Know & We Care*