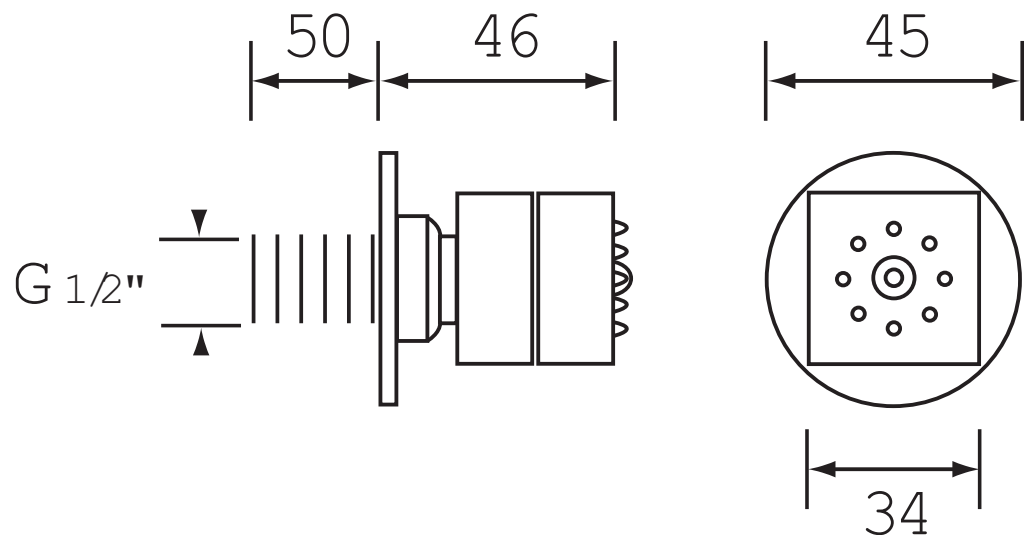




### Specification

Main Construction Material:	Brass
Connection Inlet:	G 1/2"
Connection Outlet:	N/A
Contemporary or Traditional:	Contemporary
Working Pressure Range:	Min. 0.1 Bar - Max. 8.0 Bar
Rub Clean Nozzles:	Yes
Plumbing System Requirements:	All - Ideally Balanced

### Dimensions (measurements in mm)



### Features:

- G1/2" inlet connection
- Minimum 3 L/min flow per bodyjet required
- Rub-clean anti-limescale nozzles
- Chrome plated to BS EN 248
- Adjustable spray angle

### Product Certifications:

For more products, visit our website:  
<http://www.bristan.com>



## TECHNICAL DATA SHEET



# BRISTAN