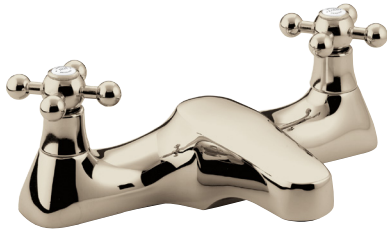


R B F G

REGENCY Tap Range Regency Bath Filler Gold



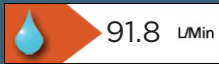
Specification

Product Type:	Bathroom Tap
Main Construction Material:	Brass
Mount Type:	Deck Mounted
Handle Type:	Crosshead Handles
Connection Inlet:	3/4" BSP
Connection Outlet:	N/A
Number of Tap Holes:	1
Valve/Cartridge Type:	1/2" Standard Valves
Plumbing System Requirements:	All - Ideally Balanced
Working Pressure Range:	Min. 0.2 Bar - Max. 5.0 Bar
Maximum Hot Water Temperature: °C	65
Maximum Static Pressure: (bar)	10

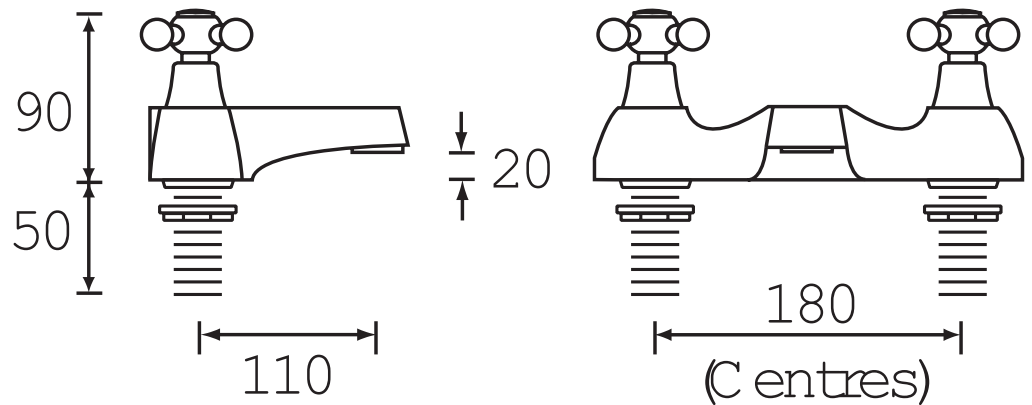
Features:

- Chrome plated to BS EN 248

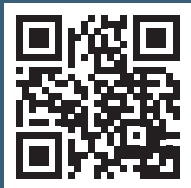
Product Certifications:



Dimensions (measurements in mm)



For more products, visit our website:
<http://www.bristan.com>



Flow Rates (l/min)

System Pressure (bar)	0.2	0.5	1	2	3	5
R B F G	24	39.6	56.4	79.5	91.8	118.5

TECHNICAL DATA SHEET



BRISTAN

D3