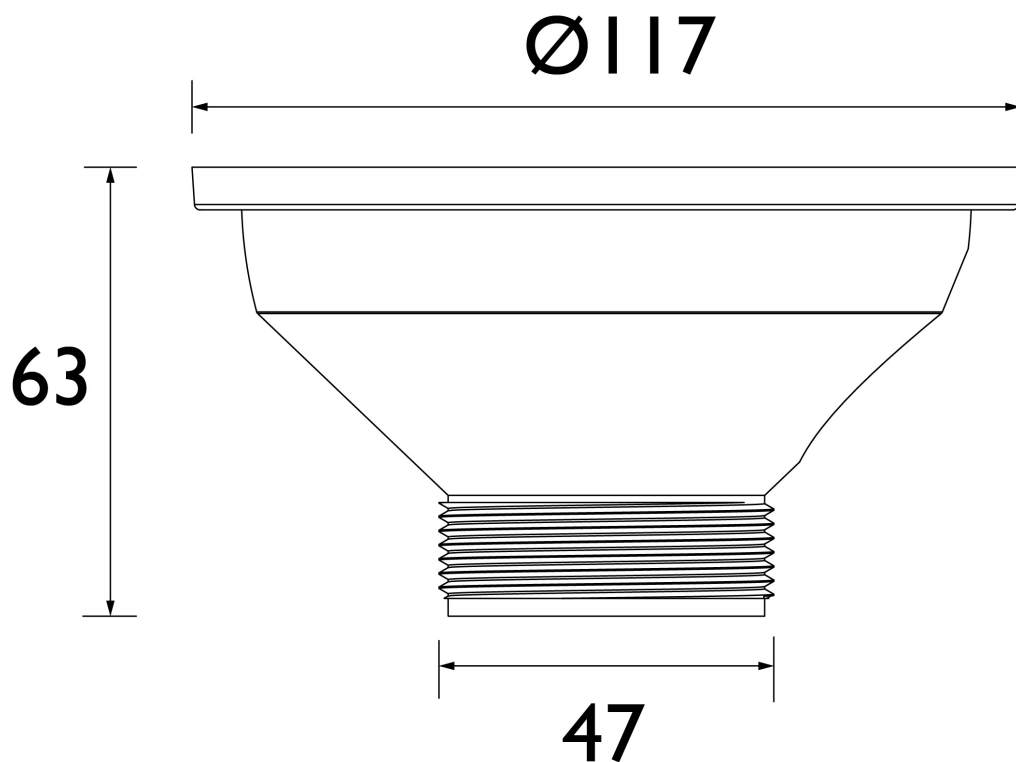




### Specification

<b>Main Construction Material:</b>	Waste is of ABS (plastic) construction, stainless steel flange and strainer
<b>Waste Connection:</b>	G 1½"
<b>Contemporary or Traditional:</b>	Contemporary

### Dimensions (measurements in mm)



### Features:

- With pull out stainless steel strainer
- 
- 
- 

### Product Certifications:

For more products, visit our website:  
<http://www.bristan.com>



## TECHNICAL DATA SHEET



# BRISTAN

TAPS & SHOWERS D2