

# W SNK1 C

## Wastes Sink Waste 1 Chrome Plated



### Specification

Contemporary or Traditional:	Contemporary
Main Construction Material:	Stainless Steel; ABS
Connection Inlet:	G1 1/2"
Waste Flow Rate (litres per minute):	44.5
What's in the Box?:	1 x Unslotted Waste Body, 1 x Waste Plate, 1 x Screw, 1 x Foam Washer, 1 x Rubber Washer, 1 x Overflow Tube, 1 x Overflow Elbow, 1 x Overflow Face, 1 x Ball Chain, 1 x Black Rubber Plug, 1 x Fitting Instructions

### Features:

- Waste complete with plastic plug, brass ball and chain
- Chrome plated to BS EN 248

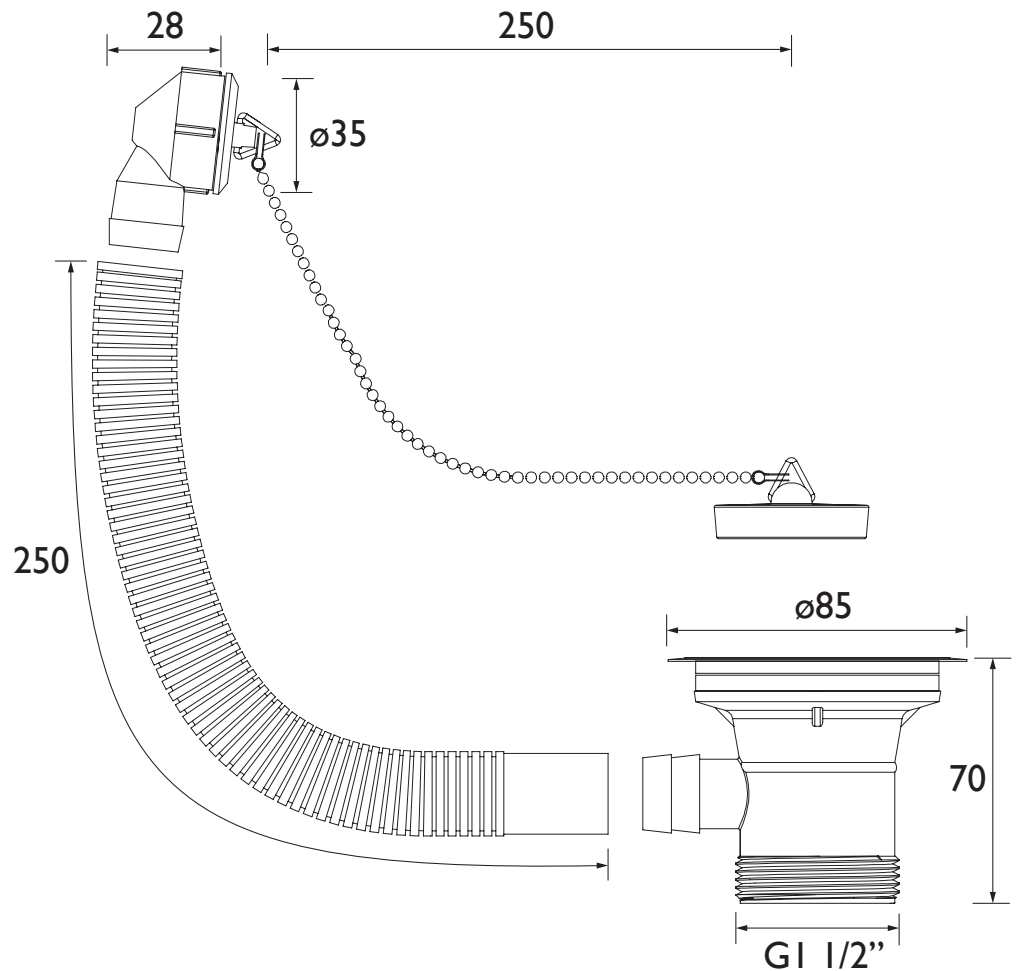
### Product Certifications:

Compliant to BS EN 274

For more products, visit our website:  
<http://www.bristan.com>



### Dimensions (measurements in mm)



## TECHNICAL DATA SHEET



# BRISTAN

D5