

W SHW4 C

Accessories Shower Waste 4 Chrome Plated



Specification

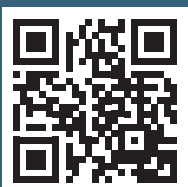
Main Construction Material:	Brass
Connection Inlet:	G1 1/2"
Connection Outlet:	G1 1/2"
Contemporary or Traditional:	Contemporary
Product Finish:	Chrome

Features:

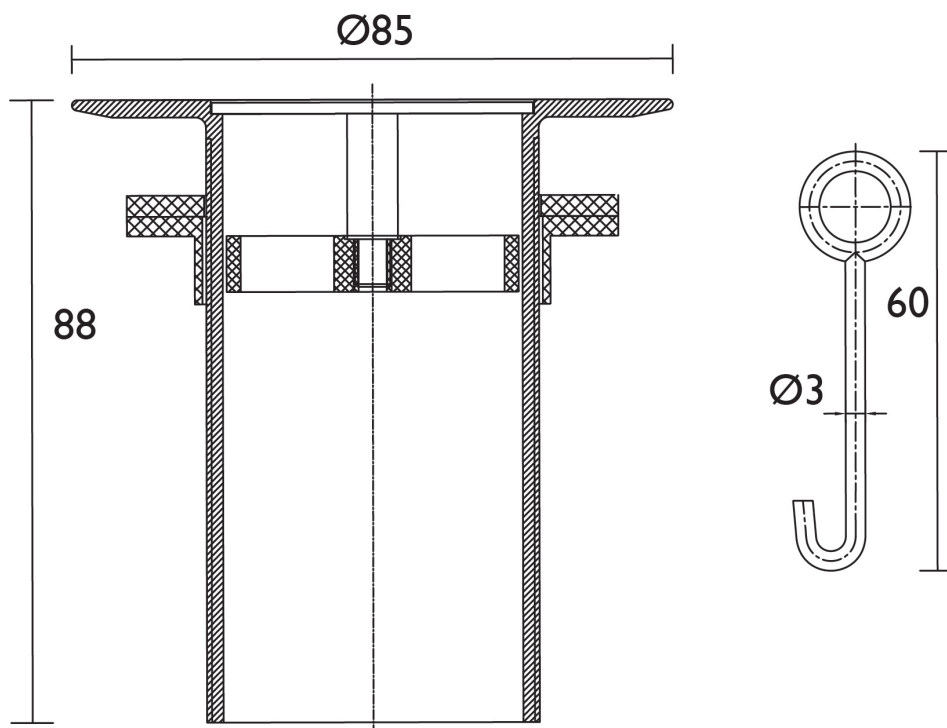
- Diameter of flange 85mm
- Solid brass construction
- Solid brass

Product Certifications:

For more products, visit our website:
<http://www.bristan.com>



Dimensions (measurements in mm)



**TECHNICAL
DATA
SHEET**



BRISTAN
TAPS & SHOWERS D2