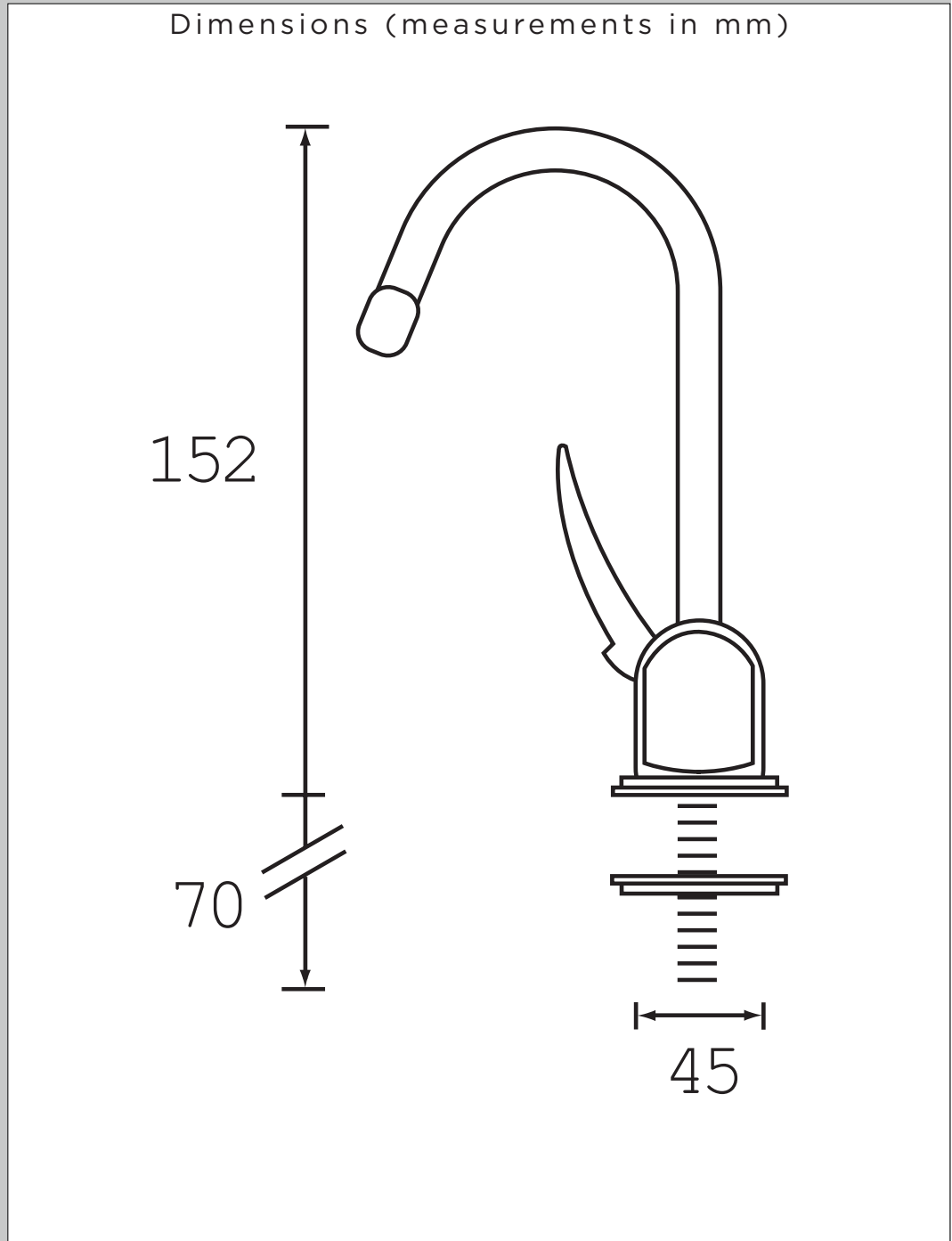


E FILT6 C

Accessories Empura 6 Water Filter Chrome



Specification	
Finish:	Chrome
Connection Inlet:	15mm Saddle Valve
Connection Outlet:	N/A
Contemporary or Traditional:	Contemporary
Water Pressure:	Min. 2.0 Bar - Max. 6.0 Bar
Filter Type:	Granular Activated Carbon (GAC) Filter

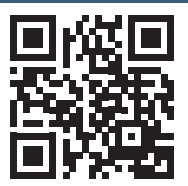


Features:

- Please note that the E FILT10 C spout shape differs slightly from E FILT6 C shown
- Economic to run-less than 1p a litre
- Convenient to use
- Removes all bad tastes and smells
- Filters sediment, dirt and water

Product Certifications:

For more products, visit our website:
<http://www.bristan.com>



TECHNICAL
DATA
SHEET



BRISTAN