



6" tap shown

Features:

- Please note that the E FILT10 C spout shape differs slightly from E FILT6 C shown
- Economic to run-less than 1p a litre
- Convenient to use
- Removes all bad tastes and smells
- Filters sediment, dirt and water

Product Certifications:

For more products, visit our website:
<http://www.bristan.com>

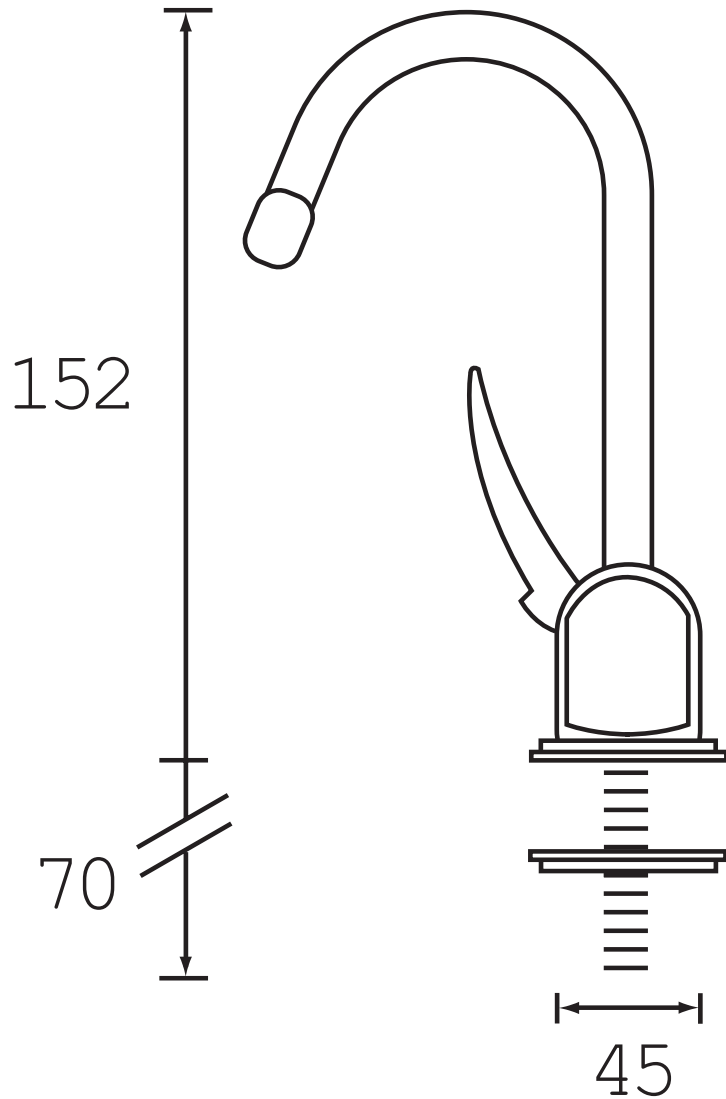


Specification

Finish:	Chrome
Connection Inlet:	15mm Saddle valve
Contemporary or Traditional:	Contemporary
Water Pressure:	Min. 2.0 Bar - Max. 6.0 Bar
Filter Type:	Granular Activated Carbon (GAC) Filter

Dimensions (measurements in mm)

6" Tap Shown



**TECHNICAL
DATA
SHEET**



BRISTAN