

K BAS G

COLONIAL Tap Range

Colonial Mono Basin Mixer
With Pop Up Waste Gold



Features:

- Metal fixing nut for added durability
- Supplied with metal handles
- Pop-up waste included

Product Certifications:



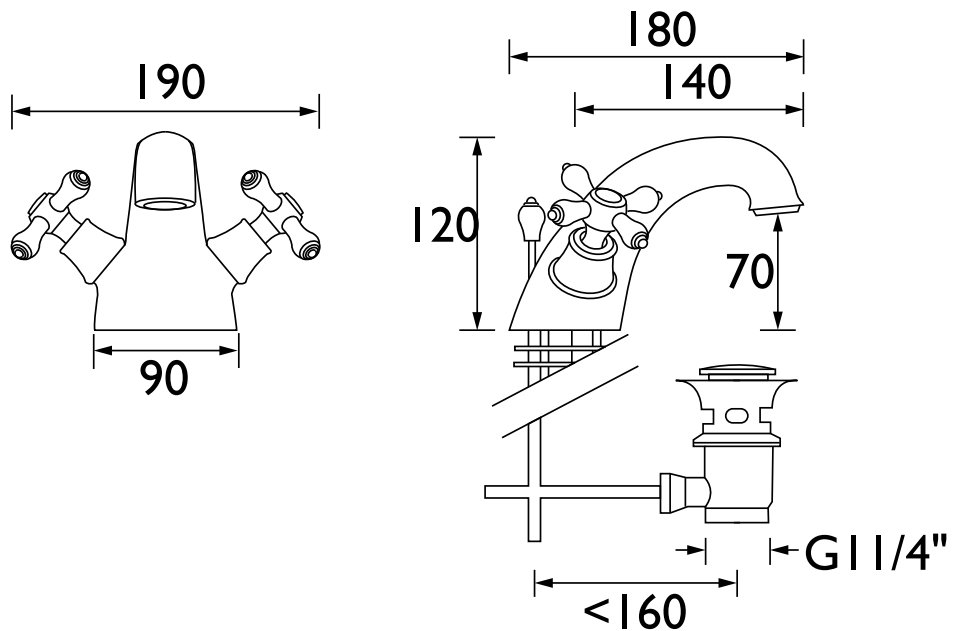
For more products, visit our website:
<http://www.bristan.com>



Specification

Product Type:	Bathroom Taps
Main Construction Material:	Brass
Mount Type:	Deck Mounted
Handle Type:	Crosshead Handles
Connection Inlet:	15mm Copper Tails
Connection Outlet:	Flow Straightener
Number of Tap Holes:	1
Valve/Cartridge Type:	1/2" Compression Valve
Plumbing System Requirements:	Suitable for all plumbing systems
Minimum Dynamic Pressure (bar):	0.2 bar
Maximum Dynamic Pressure (bar):	5.0 bar
Maximum Hot Water Temperature °C:	65°C
Maximum Static Pressure (bar):	10 bar
Flow Type:	Single
Isolation Included:	No

Dimensions (measurements in mm)



Flow Rates (l/min)

System Pressure (bar)	0.2	0.5	1	2	3	5
K BAS G (mixed)	22.9	36.1	51.1	72.3	88.5	114.3

TECHNICAL DATA SHEET



BRISTAN

D7