

PM BAS C

PRISM Tap Range

Prism Basin Mixer with
Pop-up Waste Chrome



Features:

- Long life ceramic cartridge for added durability and ease of use
- Metal fixing nut for added durability
- Easy to use lever handle
- Pop-up waste included

Product Certifications:



WRAS Cert. Number: 1611005
WRAS Expiry Date: 30/11/2021



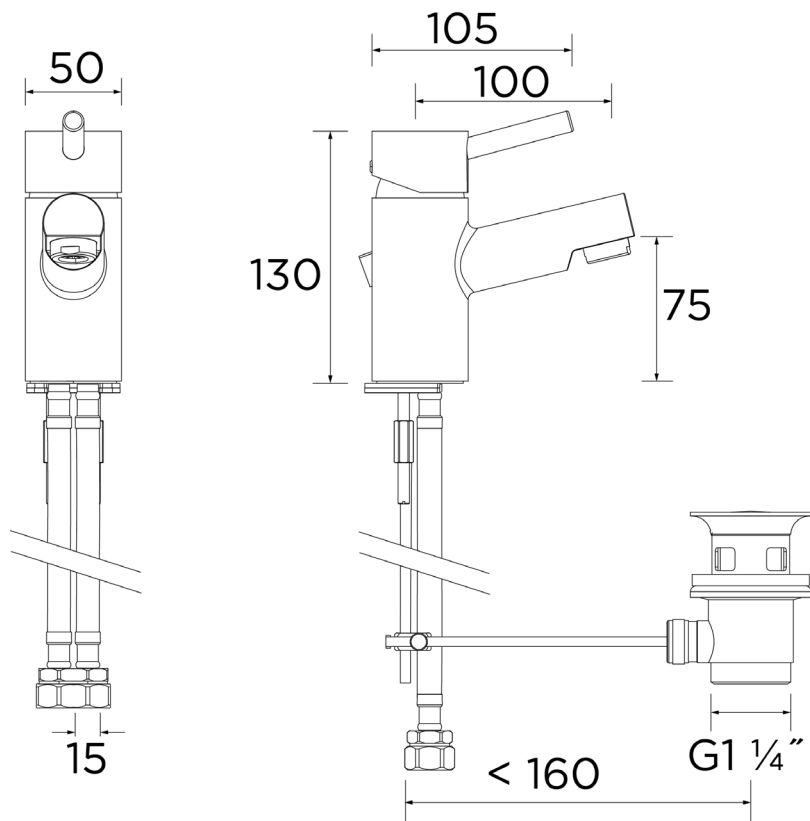
For more products, visit our website:
<http://www.bristan.com>



Specification

Product Type:	Taps
Main Construction Material:	Brass
Mount Type:	Deck Mounted
Handle Type:	Single Lever
Connection Inlet:	15mm Compression Flexible Tails
Number of Tap Holes:	1
Valve/Cartridge Type:	40mm Ceramic Cartridge
Plumbing System Requirements:	All - Ideally Balanced
Working Pressure Range:	Min. 0.2 Bar, Max. 8.0 Bar
Maximum Hot Water Temperature: °C	65
Maximum Static Pressure: (bar)	10
Flow Type:	Single Flow
Isolation Included:	No

Dimensions (measurements in mm)



Flow Rates (l/min)

System Pressure (bar)	0.2	0.5	1	2	3	5
PM BAS C (Mixed)	2.3	3.4	4.8	5.5	4.5	4.8

TECHNICAL DATA SHEET



BRISTAN

D8