

PM 1HBF C

PRISM Tap Range Prism 1 Hole Bath Filler Chrome



Features:

- Long life ceramic cartridge for added durability and ease of use
- Metal fixing nut for added durability
- Easy to use lever handle
- Minimum working pressure of 0.3 bar

Product Certifications:



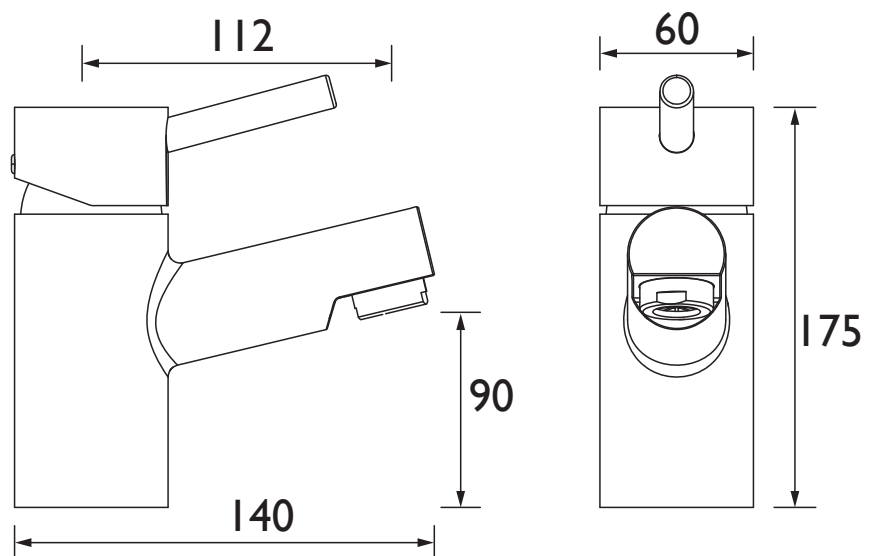
For more products, visit our website:
<http://www.bristan.com>



Specification

Product Type:	Taps
Main Construction Material:	Brass
Mount Type:	Deck
Handle Type:	Lever
Connection Inlet:	M15 x 15mm screw-in copper tail pipes
Connection Outlet:	Flow Straightener
Number of Tap Holes:	1
Valve/Cartridge Type:	45mm Single Lever Cartridge
Plumbing System Requirements:	Suitable for all plumbing systems
Minimum Dynamic Pressure (bar):	0.3 bar
Maximum Dynamic Pressure (bar):	5 bar
Maximum Hot Water Temperature °C:	65°C
Maximum Static Pressure (bar):	10 bar
Flow Type:	Single
Isolation Included:	No

Dimensions (measurements in mm)



Flow Rates (l/min)

System Pressure (bar)	0.3	0.5	1	2	3	5
PM 1HBF C (mixed)	18.8	24.3	34.4	48.7	59.6	76.9

TECHNICAL DATA SHEET



BRISTAN

D8