

# TECHNICAL DATA SHEET

## RENAISSANCE

### Bib Taps

### Product Specification

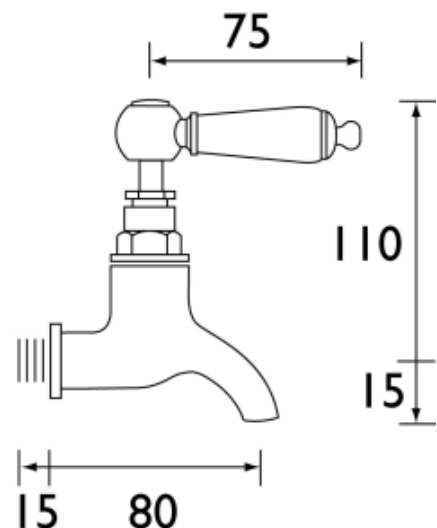
Product Code:	RS BIB C
Finish:	Chrome
Product Type:	Traditional
Construction:	Tap bodies are of all brass construction and are designed to conform to BS EN 200
Valve Type:	¼ turn ½" Ceramic Disc
Supply:	Suitable for all plumbing systems
Inlet Connections:	½" BSP
Water Pressure:	Min 0.2 bar Max. 8.0 bar



Pictured with X US C Up-stands – available to order separately

### Additional Information

- Up-stands (X US C) and horizontal extension pipes (BTE C) available to order separately
- Supplied with metal backnuts
- Chrome plated to BS EN 248



### Flow Rates (litres per minute)

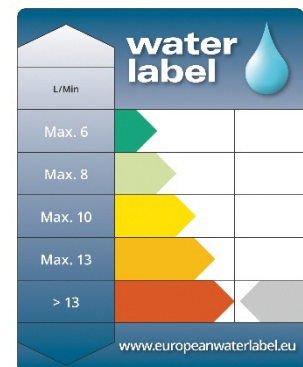
System Pressure	0.2bar	0.5bar	1.0bar	2.0bar	3.0bar	5.0bar
RS BIB C	8.4	13	18.5	26.1	32.2	37.1

### Compliance / Approvals

WRAS Approval No: 1307038

Technical Advice: For further information please call 0844 7016273 or email [customer@bristan.com](mailto:customer@bristan.com)

Guarantee: 5 years covering manufacturing faults.



Bristan, Birch Coppice Business Park, Dordon, Tamworth, B78 1SG  
Telephone: 0844 701 6274 Facsimile: 0844 701 6275  
Web Site: [www.bristan.com](http://www.bristan.com) Email: [enquire@bristan.com](mailto:enquire@bristan.com)

