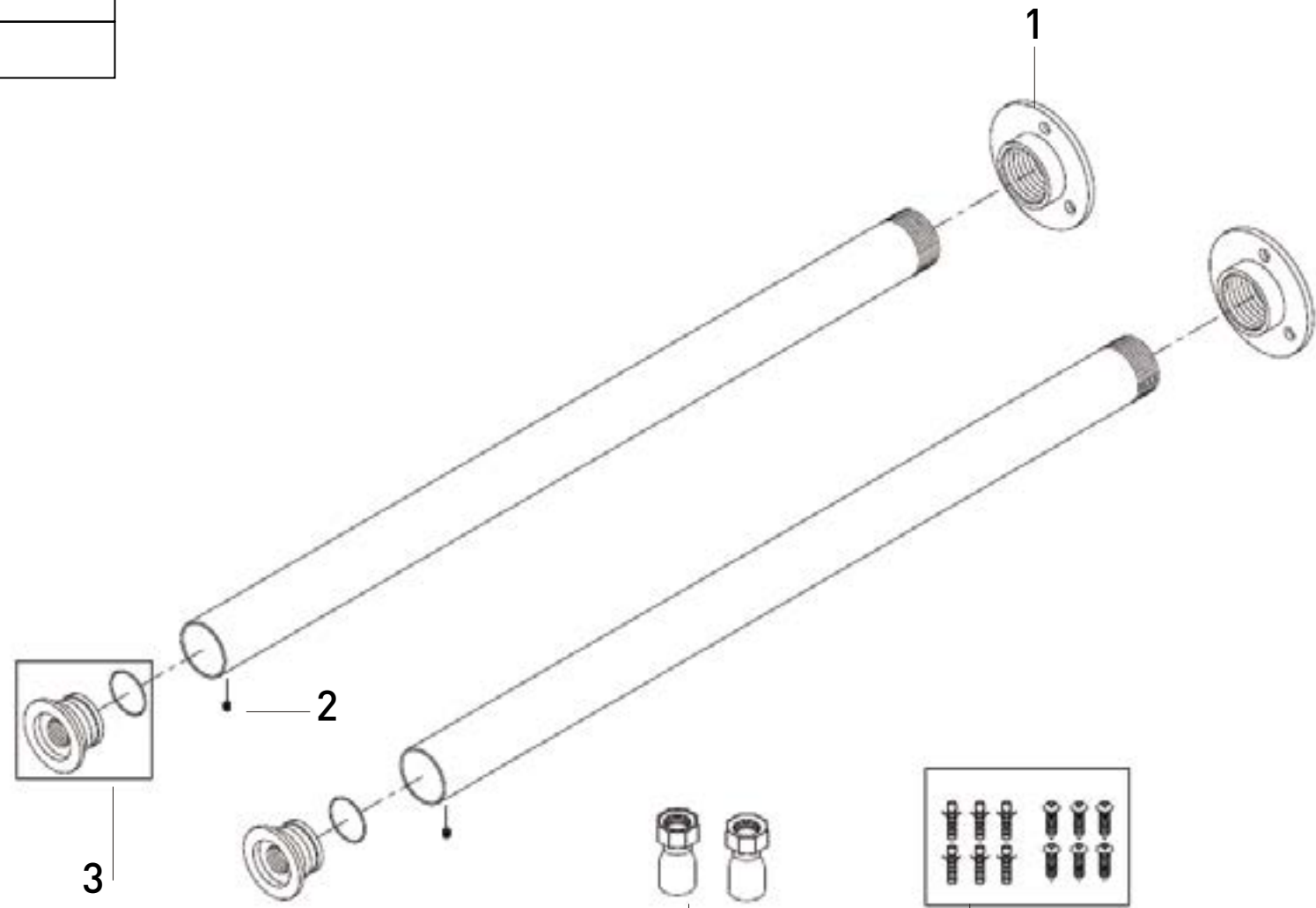


Product Code: LEG C

Revision: D2



1	Fixing Bracket
2	Grub Screw
3	Pipe Cap & O-Ring
4	3/4" Inlet Connection
5	Fixing Kit