



### Features:

- Includes 1.5m hose, handset and wall bracket
- Wall bracket and single function handset
- Chrome plated to BS EN 248

### Product Certifications:



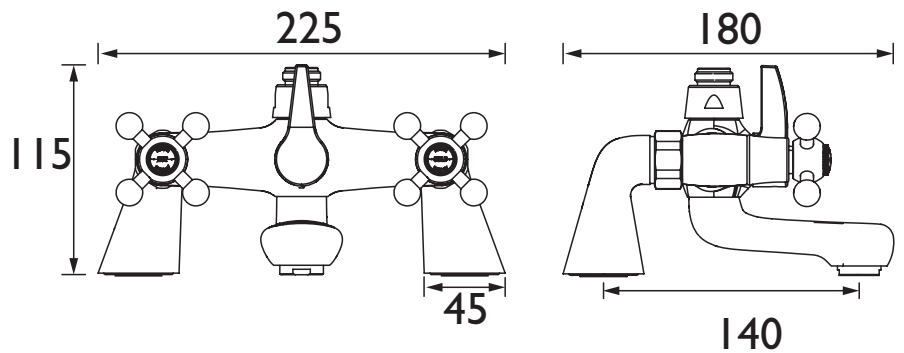
For more products, visit our website:  
<http://www.bristan.com>



### Specification

|  |                                   |
|--|-----------------------------------|
| <b>Product Type:</b>                     | Taps                              |
| <b>Main Construction Material:</b>       | Brass                             |
| <b>Mount Type:</b>                       | Deck Mounted                      |
| <b>Handle Type:</b>                      | Crosshead Handles                 |
| <b>Connection Inlet:</b>                 | 3/4" BSP                          |
| <b>Connection Outlet:</b>                | Antisplash                        |
| <b>Number of Tap Holes:</b>              | 2                                 |
| <b>Valve/Cartridge Type:</b>             | 1/2" Standard Valves              |
| <b>Plumbing System Requirements:</b>     | Suitable for all plumbing systems |
| <b>Minimum Dynamic Pressure (bar):</b>   | 0.2 bar                           |
| <b>Maximum Dynamic Pressure (bar):</b>   | 5.0 bar                           |
| <b>Maximum Hot Water Temperature °C:</b> | 65°C                              |
| <b>Maximum Static Pressure (bar):</b>    | 10 bar                            |
| <b>Flow Type:</b>                        | Single Flow                       |
| <b>Isolation Included:</b>               | No                                |

### Dimensions (measurements in mm)



### Flow Rates (l/min)

| System Pressure (bar)       | 0.2  | 0.5  | 1    | 2    | 3    | 5     |
|-----------------------------|------|------|------|------|------|-------|
| Through Bath Filler (mixed) | 22.8 | 36   | 50.9 | 72   | 88.2 | 113.9 |
| Through Handset (mixed)     | 6.5  | 10.3 | 14.6 | 20.7 | 25.3 | 32.7  |

## TECHNICAL DATA SHEET



# BRISTAN

D7