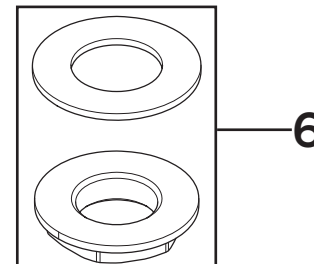
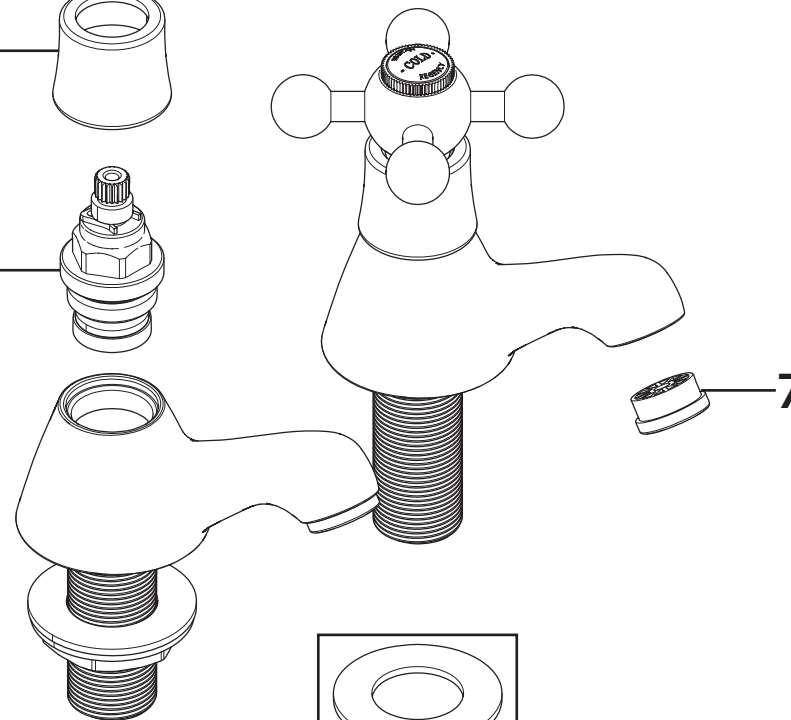
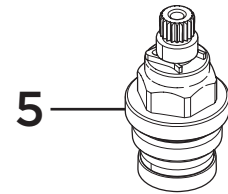
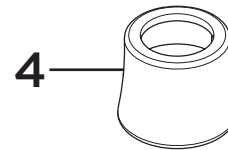
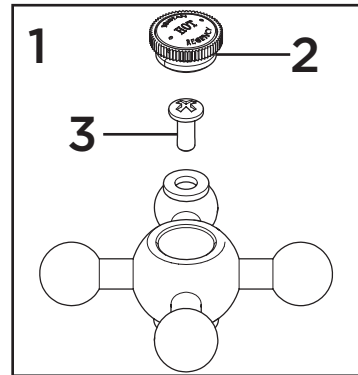


Product Code: R 1/2 C/G**Revision:** D3

1	Handle Assembly (Pair)
2	Hot & Cold Indices (Pair)
3	M4x11 Screw
4	Shroud
5	1/2" Compression Valves (Pair)
6	1/2" Backnut & Washer
7	Flow Straightener