

K BRSNK BN

COLONIAL Tap Range Colonial Bridge Sink Mixer Brushed Nickel



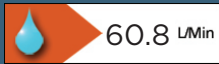
Specification

Product Type:	Kitchen Tap
Main Construction Material:	Brass
Mount Type:	Deck Mounted
Handle Type:	Crosshead Handles
Connection Inlet:	1/2" BSP
Connection Outlet:	N/A
Number of Tap Holes:	2
Valve/Cartridge Type:	1/2" Standard Valves
Plumbing System Requirements:	All - Ideally Balanced
Working Pressure Range:	Min. 0.2 Bar - Max. 8.0 Bar
Maximum Hot Water Temperature: °C	65
Maximum Static Pressure: (bar)	10

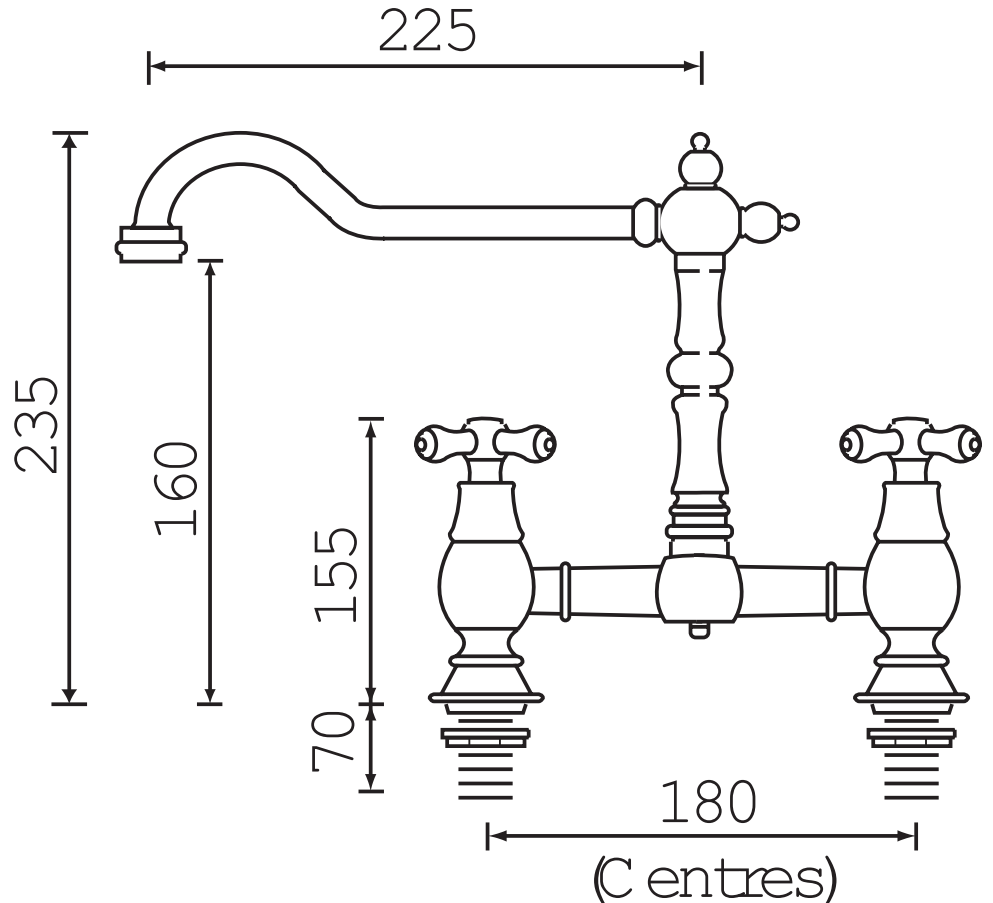
Features:

- Product supplied with two check valves
- Supplied with two single check valves

Product Certifications:



Dimensions (measurements in mm)



For more products, visit our website:
<http://www.bristan.com>



Flow Rates (l/min)

System Pressure (bar)	0.2	0.5	1	2	3	5
K BRSNK BN	15.7	24.9	35.1	49.7	60.8	78.5

TECHNICAL
DATA
SHEET



BRISTAN

D6