

QU 3HWMBAS C

QUBE Tap Range Qube 3 Hole Wall Mounted Basin Mixer Chrome



Specification	
Style:	Contemporary
Product Type:	Bathroom Taps
Finish/Colour:	Chrome
Main Construction Material:	Brass
Mount Type:	Wall Mounted
Handle Type:	Lever
Connection Inlet:	15mm Compression
Number of Tap Holes Required:	3
Valve/Cartridge Type:	1/2" Ceramic Disc Valves
Plumbing System Suitability	All
Working Pressure Range:	Min 0.2 Bar, Max 5.0 Bar
Maximum Hot Water Temperature: °c	65
Maximum Dynamic Pressure: (bar)	5
Maximum Static Pressure: (bar)	10
Flow Type:	Single Flow
Flow Rate: (l/min @ 3 bar)	55.6
Connection Outlet:	M24 Flow Straightener
Isolation Included:	No

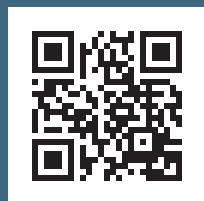
Features:

- Supplied with metal handles
- Chrome plated to BS EN 248

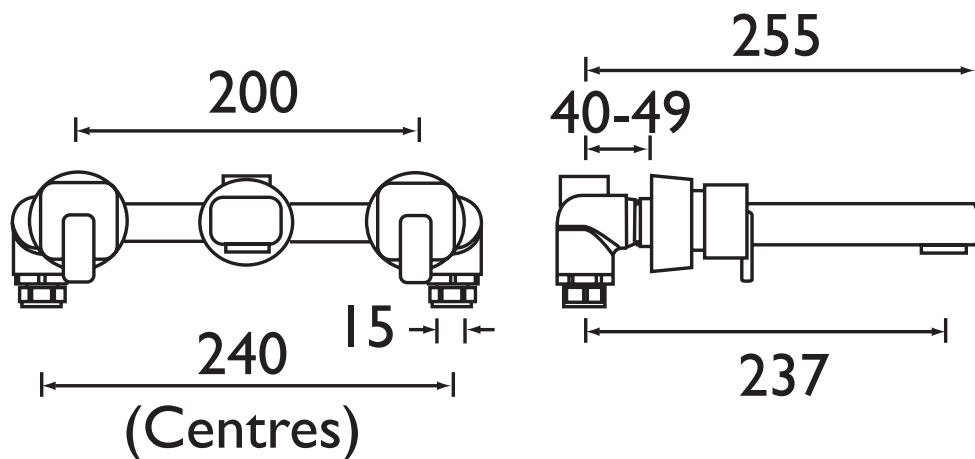
Product Certifications:



For more products, visit our website:



Dimensions (measurements in mm)



(To suit max. wall thickness 26mm)

Flow Rates (l/min)						
System Pressure (bar)	0.2	0.5	1	2	3	5
QU 3HWMBAS C	13.7	22.4	32.1	45.4	55.6	71.7

TECHNICAL
DATA
SHEET



BRISTAN
TAPS & SHOWERS

D4