

AFTERCARE INSTRUCTIONS

Your fitting has a high quality finish and should be treated with care to preserve the visible surfaces.

All surface finishes will wear if not cleaned correctly, the only safe way to clean your mixer is to wipe with a soft damp cloth. Stains can be removed using washing up liquid. All bath cleaning powders and liquids will damage the surface of your fitting, even the non-scratch cleaners. **NOTE: Never use abrasive detergents or disinfectants or those containing alcohol, hydrochloric acid or phosphoric acid.**

Bristan recommend E-Cloth for cleaning all of our bathroom & kitchen products. Using just water, E-cloth gives a smear free, deep clean by breaking up and holding dirt, which normal cloths leave behind. Order through your Bristan stockist. (ORDER CODE: ECLOTH)



GUARANTEE

All products are manufactured to the highest standards and a 5 year guarantee covers any defect in manufacture.

NOTE: The 5-year guarantee on the cartridge is invalidated if damaged by any waterborne debris.

All products must have access for servicing or replacement during the life of the product.

In the interests of continuous product development we reserve the right to alter specification as necessary

PRODUCT CODE:

PRODUCT IDENTIFICATION CODE LASER ETCHED ON PRODUCT

Installer please fill in code here _____.(Where applicable)

TELEPHONE HELPLINE! +44 (0)844 701 6273

Bristan Group Limited
Birch Coppice Business Park
Dordon
Tamworth
Staffordshire
B78 1SG
UK

A Masco Company

Website: www.bristan.com

Telephone: +44 (0) 844 701 6274

Facsimile: +44 (0) 844 701 6275

(FI QU 3HWMBAS)

(Rev.D3)

BRISTAN

Qube 3 Hole Wall Mounted Basin Mixer

Fitting Instructions & Contents List

Please keep these instructions for future reference and request of replacement part

WATER PRESSURE

This mixer are suitable for use at all supply pressures. However for optimum use both the hot and cold supplies should be reasonably balanced.

If the fitting is installed at low pressure (tank fed), then the minimum height from the outlet nozzle to the underside of the cold tank should be at least 2 metres to ensure adequate shower performance.

This mixer should be installed in compliance with the Water Regulations. Where the supplies are unbalanced, i.e. hot water from cylinder tank / cold from the mains, approved check valves must be fitted in the supply pipes.

For further details contact your Local Water Authority.

INSTALLATION

1. Identify all components and check for completeness, particularly before commencing installation.
2. Decide on final position of the bath filler body (10). A baton may be required to ensure the correct depth is achieved.
3. Plumb up the hot and cold supply pipes to the required position.
4. Attach pipework to the hot and cold inlets using the nuts and olives (14 & 15).
5. Secure mixer body using the screws (20), spacers (11), washers (12) and wall Plugs (13 if required).

NOTE:- Before finishing wall turn on water supplies to check both correct mixer function and for leaking from connections.

6. Set fitting into wall and complete wall finish. Note! It is important that the spout (19) is not damaged and that sufficient thread is left exposed to allow the spout (19) and the valve shrouds (6) to fit.
7. Fit the spout (19) using the fibre washer (18) and screw on valve shrouds (6)

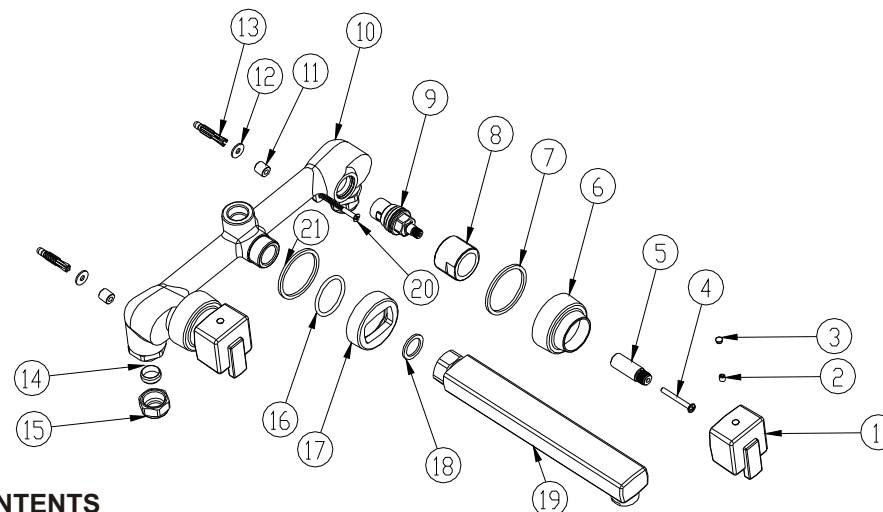
NOTE:- Use suitable sealant on the foam washers (7 & 21)

8. Slide on spout shroud (17, removal of the straightener housing is necessary) and Attach heads (1) and head caps (3).
9. See back page for aftercare instructions.

MAINTENANCE

If the fitting begins to drip:

1. Turn off the water supply.
2. Prise out head cap (3), unscrew grub screw (2) and remove head (1).
3. Unscrew shroud (6), thread adapter (8) and remove valve (9).
4. Carefully clean seating, rubber washer and ceramic disc.
5. Replace valve, shroud and handle then turn on the water supply.
6. If problem persists contact our help line quoting the product code.



CONTENTS

1. Head	(x2)	12. Washer	(x2)
2. Grub Screw	(x2)	13. Wall Plug	(x2)
3. Head Cap	(x2)	14. Olive	(x2)
4. Valve Screw	(x2)	15. Compression Nut	(x2)
5. Spline Adapter	(x2)	16. 'O' Ring	(x1)
6. Valve Shroud	(x2)	17. Spout Shroud	(x1)
7. Foam Seal	(x2)	18. Fibre Washer	(x1)
8. Threaded Adapter	(x1)	19. Spout	(x1)
9. Valve	(x2)	20. Fixing Screw	(x2)
10. Mixer Body	(x1)	21. Foam Seal	(x1)
11. Spacer	(x2)		

PLEASE NOTE:

In the unlikely event you find a part missing, please contact our Customer Service helpline on **0844 701 6273** for immediate dispatch of part