

# QU 3/4 C

## QUBE Tap Range Qube Bath Taps Chrome



### Features:

- Supplied with metal handles
- Chrome plated to BS EN 248

### Product Certifications:

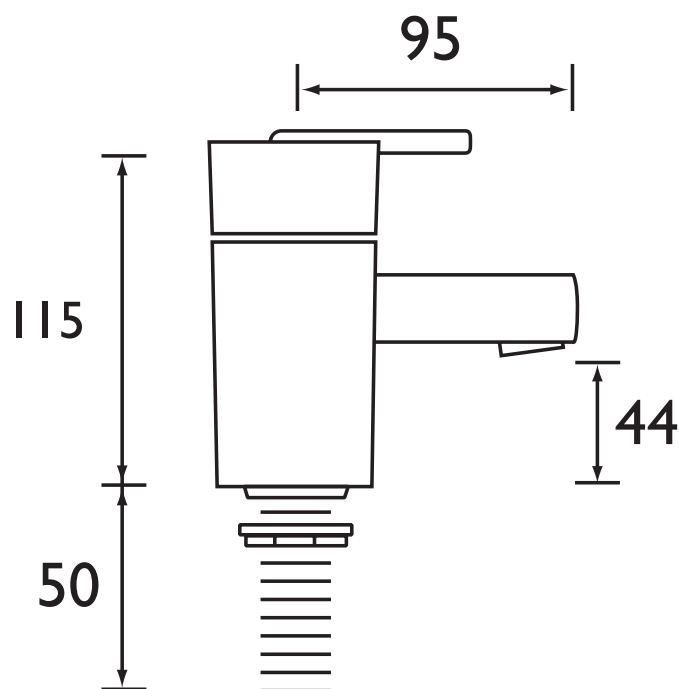
For more products, visit our website:



### Specification

Style:	Contemporary
Product Type:	Bathroom Taps
Finish/Colour:	Chrome
Main Construction Material:	Brass
Mount Type:	Deck
Handle Type:	Paddle
Connection Inlet:	3/4" BSP
Number of Tap Holes Required:	2
Valve/Cartridge Type:	3/4" Ceramic Disc Valves
Plumbing System Suitability	All
Working Pressure Range:	Min 0.2 bar, Max 8.0 bar
Maximum Hot Water Temperature: °c	65
Maximum Dynamic Pressure: (bar)	8
Maximum Static Pressure: (bar)	10
Flow Type:	Single Flow
Flow Rate: (l/min @ 3 bar)	74.1
Connection Outlet:	
Isolation Included:	No

### Dimensions (measurements in mm)



### Flow Rates (l/min)

System Pressure (bar)	0.2	0.5	1	2	3	5
QU 3/4 C	18	30.2	42.8	60.5	74.1	95.7

TECHNICAL  
DATA  
SHEET



**BRISTAN**  
TAPS & SHOWERS

D6