



Specification	
Style:	Contemporary
Product Type:	Bathroom Taps
Finish/Colour:	Chrome
Main Construction Material:	Brass
Mount Type:	Deck Mounted
Handle Type:	Single Lever
Connection Inlet:	3/4" BSP
Number of Tap Holes Required:	2
Valve/Cartridge Type:	40mm Ceramic Cartridge
Plumbing System Suitability	High Pressure Systems Only
Working Pressure Range:	Min. 1.0 bar, Max. 7.0 bar
Maximum Hot Water Temperature: °c	65
Maximum Dynamic Pressure: (bar)	7
Maximum Static Pressure: (bar)	10
Flow Type:	Single
Flow Rate: (l/min @ 3 bar)	17.8
Connection Outlet:	
Isolation Included:	No

Features:

- Brass construction
- Ceramic disc cartridge for smooth temperature and flow control
- Operates at a minimum pressure of 1 bar
- Single-function rub-clean anti-limescale handset, 1.75m hose and wall bracket

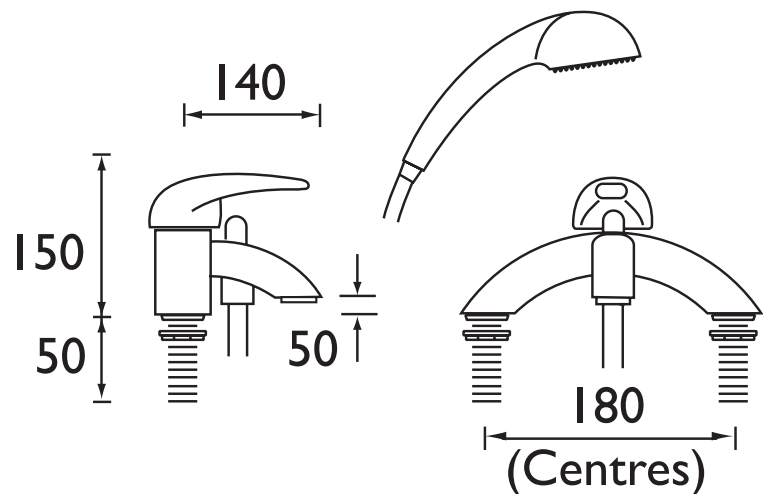
Product Certifications:



For more products, visit our website:



Dimensions (measurements in mm)



**1750mm Hose, Rub Clean
Handset & Wall Bracket**

Flow Rates (l/min)					
System Pressure (bar)	1	2	3	4	5
Through Handset	9.2	14.1	17.8	22.7	26
Bath Filler (Mixed)	16.5	23.6	29.1	33.8	37.6

TECHNICAL
DATA
SHEET



BRISTAN
TAPS & SHOWERS